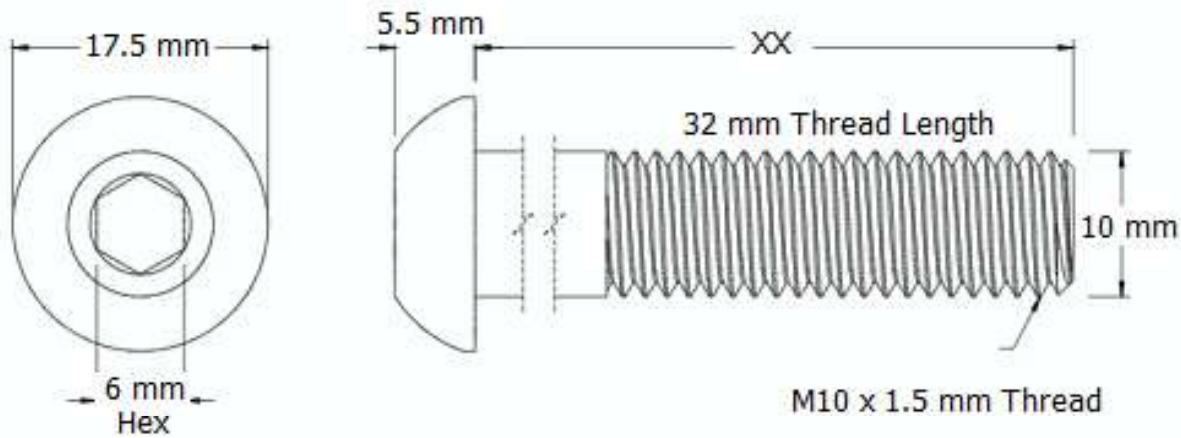



This drawing and the information contained herein are the confidential and proprietary property of Global Supply LLC



PART NUMBER	LENGTH
.100C450SBCSP	45 mm
.100C500SBCSP	50 mm
.100C550SBCSP	55 mm
.100C600SBCSP	60 mm
.100C650SBCSP	65 mm
.100C700SBCSP	70 mm
.100C750SBCSP	75 mm
.100C800SBCSP	80 mm
.100C900SBCSP	90 mm
.100C950SBCSP	95 mm
.100C1000SBCSP	100 mm
.100C1100SBCSP	110 mm
.100C1200SBCSP	120 mm



NOTES:
 1. INTERPRET DRAWINGS PER DIN 912 STANDARD.
 2. DIMENSIONS AND TOLERANCES PER ISO 7380, BN 1593.
 3. ROHS AND REACH COMPLIANT

DRAWING SCALE: METRIC		MATERIAL: A2 STAINLESS STEEL	DESCRIPTION: M10-1.5 SOC BUTTON CAP SCREW
TOLERANCES: <i>Unless specified otherwise, all dimensions are in millimeters</i>		FINISH: PASSIVATE	PART NUMBER: .100CXXSBCSP
DRAWN BY: L CLARY		FSCM No. 67012	 Global Supply LLC WORLDWIDE SUPPLIER OF ELECTRONIC HARDWARE, FASTENERS & COMPONENTS <small>500 Division Street, Campbell, CA 95008-6906 Tel: 408 960 0370 Fax: 408 960 0375 Web: www.globalsupply.com</small>
REV:	APPROVAL	DATE:	
INITIAL RELEASE	LJA	Oct 24, 2018	
		ECCN EAR99 = NLR (No License Required)	