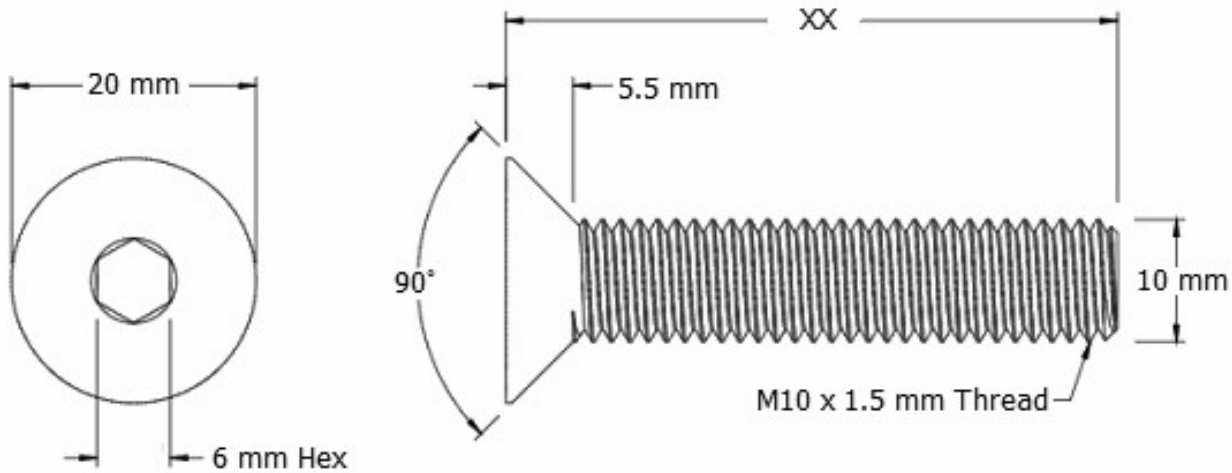



This drawing and the information contained herein are the confidential and proprietary property of Global Supply LLC



PART NUMBER	LENGTH
.100C800SFC3	80 mm
.100C850SFC3	85 mm
.100C900SFC3	90 mm
.100C950SFC3	95 mm
.100C1000SFC3	100 mm
.100C1100SFC3	110 mm
.100C1200SFC3	120 mm
.100C1300SFC3	130 mm
.100C1400SFC3	140 mm
.100C1500SFC3	150 mm
.100C1600SFC3	160 mm
.100C1800SFC3	180 mm
.100C2000SFC3	200 mm



NOTES:
 1. INTERPRET DRAWINGS PER DIN 7991 STANDARD.
 2. DIMENSIONS AND TOLERANCES PER ISO 7380-1, BN 1593.
 3. ROHS AND REACH COMPLIANT

DRAWING SCALE: METRIC		MATERIAL: A4/316 STAINLESS STEEL	DESCRIPTION: M10-1.5 SOCKET FLAT HEAD CAP SCREW
TOLERANCES: <i>Unless specified otherwise, all dimensions are in millimeters</i>	x.xxx +/- 0.100 x.xx +/- 0.100 x.x +/- 0.100	FINISH: PLAIN	PART NUMBER: .100CXXXSFC3
DRAWN BY: L CLARY	FSCM No. 67012		 Global Supply LLC WORLDWIDE SUPPLIER OF ELECTRONIC HARDWARE, FASTENERS & COMPONENTS <small>500 Division Street, Campbell, CA 95008-6906 Tel: 408 960 0370 Fax: 408 960 0375 Web: www.globalsupply.com</small>
REV:			
INITIAL RELEASE	LJA	Oct 30, 2018	
		ECCN EAR99 = NLR (No License Required)	