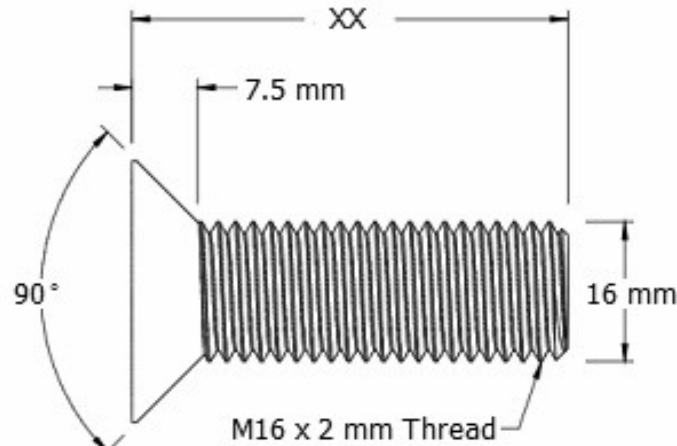
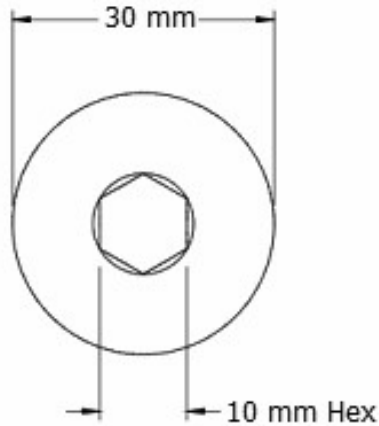



This drawing and the information contained herein are the confidential and proprietary property of Global Supply LLC



PART NUMBER	LENGTH
.160C160SFCSP	16 mm
.160C200SFCSP	20 mm
.160C250SFCSP	25 mm
.160C300SFCSP	30 mm
.160C350SFCSP	35 mm
.160C400SFCSP	40 mm
.160C450SFCSP	45 mm
.160C500SFCSP	50 mm
.160C550SFCSP	55 mm
.160C600SFCSP	60 mm
.160C650SFCSP	65 mm
.160C700SFCSP	70 mm
.160C750SFCSP	75 mm

NOTES:

1. INTERPRET DRAWINGS PER DIN 7991 STANDARD.
2. DIMENSIONS AND TOLERANCES PER ISO 7380-1, BN 1593.
3. ROHS AND REACH COMPLIANT

DRAWING SCALE: METRIC		MATERIAL: A2 STAINLESS STEEL	DESCRIPTION: M16-2 SOCKET HEAD FLAT CAP SCREW
TOLERANCES: <i>Unless specified otherwise, all dimensions are in millimeters</i>	x.xxx +/- 0.100 x.xx +/- 0.100 x.x +/- 0.100	FINISH: PASSIVATE	PART NUMBER: .160CXXXSFCSP
DRAWN BY: L CLARY	FSCM No. 67012		 Global Supply LLC WORLDWIDE SUPPLIER OF ELECTRONIC HARDWARE, FASTENERS & COMPONENTS <small>500 Division Street, Campbell, CA 95008-6906 Tel: 408 960 0370 Fax: 408 960 0375 Web: www.globalsupply.com</small>
REV:	APPROVAL	DATE:	
INITIAL RELEASE	LJA	Oct 30, 2018	
		ECCN EAR99 = NLR (No License Required)	