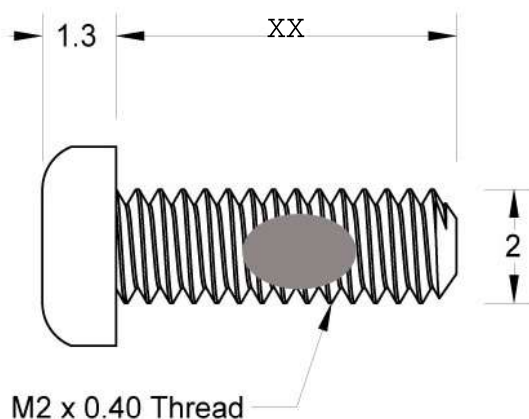
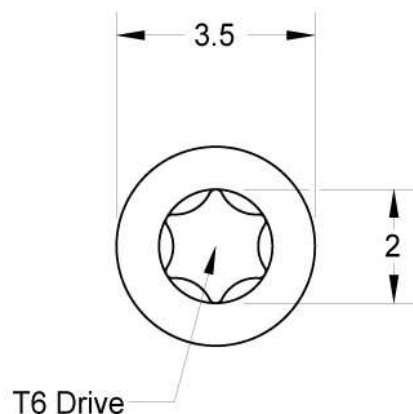



This drawing and the information contained herein are the confidential and proprietary property of Global Supply LLC



PART NUMBER	LENGTH
.20C20XBCH3/SPA	2 mm
.20C40XBCH3/SPA	4 mm
.20C50XBCH3/SPA	5 mm
.20C60XBCH3/SPA	6 mm
.20C80XBCH3/SPA	8 mm
.20C100XBCH3/SPA	10 mm
.20C120XBCH3/SPA	12 mm
.20C140XBCH3/SPA	14 mm
.20C160XBCH3/SPA	16 mm
.20C180XBCH3/SPA	18 mm
.20C200XBCH3/SPA	20 mm
.20C220XBCH3/SPA	22 mm
.20C250XBCH3/SPA	25 mm

1. INTERPRET DRAWING PER ASTM F835
2. DIMENSIONS & TOLERANCES PER ISO 7380
3. SELF-LOCKING ELEMENT PATCH INTERPRET PER MIL-DTL-18240
4. ROHS AND REACH COMPLIANT

<b>DRAWING SCALE:</b> <b>METRIC</b>		<b>MATERIAL:</b> <b>GRADE 2H STEEL</b>	<b>DESCRIPTION:</b> <b>M2.0 X 0.4 TORX BUTTON HEAD CAP SCREW W/NYLOK PATCH</b>
<b>TOLERANCES:</b> <i>Unless specified otherwise, all dimensions are in inches</i>	<b>x.xxx</b> +/- 0.100 <b>x.xx</b> +/- 0.100 <b>x.x</b> +/- 0.100	<b>FINISH:</b> <b>ZINC CLEAR RoHS</b>	<b>PART NUMBER:</b> <b>.20CXXXBCH3/SPA</b>
<b>DRAWN BY:</b> L.CLARY	<b>FSCM No.</b> <b>67012</b>		 <b>Global Supply LLC</b> WORLDWIDE SUPPLIER OF ELECTRONIC HARDWARE, FASTENERS & COMPONENTS <small>500 Division Street, Campbell, CA 95008-6906            Tel: 408 960 0370 Fax: 408 960 0375 Web: www.globalsupply.com</small>
<b>REV:</b> INITIAL RELEASE			
<b>A</b>	<b>LJA</b>	<b>Jun 15, 2018</b>	
<b>ECCN</b> EAR99 = NLR (No License Required)			