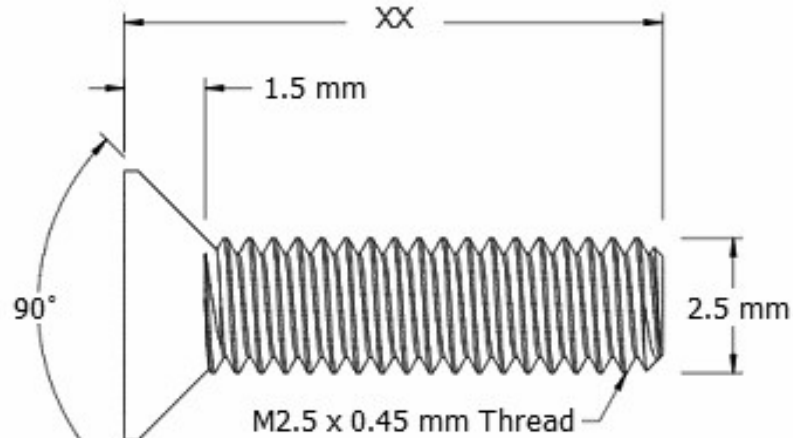
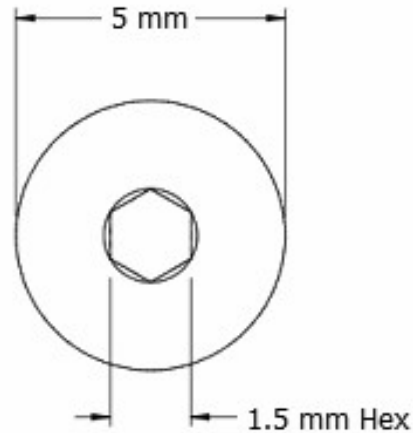



This drawing and the information contained herein are the confidential and proprietary property of Global Supply LLC



PART NUMBER	LENGTH
.25C30SFCSP	3 mm
.25C40SFCSP	4 mm
.25C50SFCSP	5 mm
.25C60SFCSP	6 mm
.25C80SFCSP	8 mm
.25C100SFCSP	10 mm
.25C120SFCSP	12 mm
.25C140SFCSP	14 mm
.25C160SFCSP	16 mm
.25C180SFCSP	18 mm
.25C200SFCSP	20 mm
.25C220SFCSP	22 mm
.25C250SFCSP	25 mm



NOTES:  
 1. INTERPRET DRAWINGS PER DIN 7991 STANDARD.  
 2. DIMENSIONS AND TOLERANCES PER ISO 7380-1, BN 1593.  
 3. ROHS AND REACH COMPLIANT

<b>DRAWING SCALE:</b> <b>METRIC</b>		<b>MATERIAL:</b> <b>A2 STAINLESS STEEL</b>	<b>DESCRIPTION:</b> <b>M2.5 X 0.45 SOCKET HEAD FLAT CAP SCREW</b>
<b>TOLERANCES:</b> <i>Unless specified otherwise, all dimensions are in millimeters</i>		<b>FINISH:</b> <b>PASSIVATE</b>	<b>PART NUMBER:</b> <b>.25CXXSFCSP</b>
<b>DRAWN BY:</b> L CLARY		<b>FSCM No.</b> <b>67012</b>	 <b>Global Supply LLC</b> WORLDWIDE SUPPLIER OF ELECTRONIC HARDWARE, FASTENERS & COMPONENTS <small>500 Division Street, Campbell, CA 95008-6906          Tel: 408 960 0370 Fax: 408 960 0375 Web: www.globalsupply.com</small>
<b>REV:</b>	<b>APPROVAL</b>	<b>DATE:</b>	
<b>INITIAL RELEASE</b>	<b>LJA</b>	<b>Oct 30, 2018</b>	
		<b>ECCN</b> EAR99 = NLR (No License Required)	