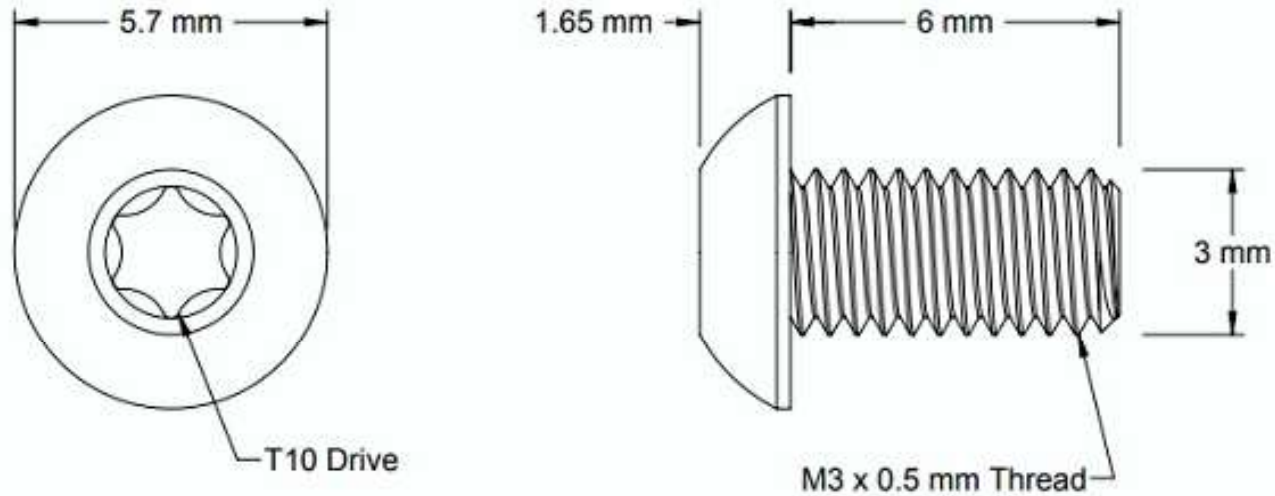



This drawing and the information contained herein are the confidential and proprietary property of Global Supply LLC



NOTES:

1. INTERPRET DRAWINGS PER ISO 7380 STANDARD.
2. ROHS AND REACH COMPLIANT.

DRAWING SCALE:		MATERIAL:		DESCRIPTION:							
METRIC		GRADE 2H STEEL		M3 X 6 MM TORX BUTTON CAP SCREW							
TOLERANCES: <i>Unless specified otherwise, all dimensions are in millimeters</i>		FINISH:		PART NUMBER:							
<table border="0"> <tr><td>x.xxx</td><td>+/- 0.100</td></tr> <tr><td>x.xx</td><td>+/- 0.100</td></tr> <tr><td>x.x</td><td>+/- 0.100</td></tr> </table>		x.xxx	+/- 0.100	x.xx	+/- 0.100	x.x	+/- 0.100	ZINC CLEAR ROHS		.30C60XBCH3	
x.xxx	+/- 0.100										
x.xx	+/- 0.100										
x.x	+/- 0.100										
DRAWN BY:	L CLARY		FCSM No. 67012		 Global Supply LLC WORLDWIDE SUPPLIER OF ELECTRONIC HARDWARE, FASTENERS & COMPONENTS 500 Division Street, Campbell, CA 95008-6906 Tel: 408 960 0370 Fax: 408 960 0375 Web: www.globalsupply.com						
REV:	APPROVAL	DATE:									
INITIAL REV	LJA	Sep 17, 2018									
			ECCN								
			EAR99 = NLR (No License Required)								