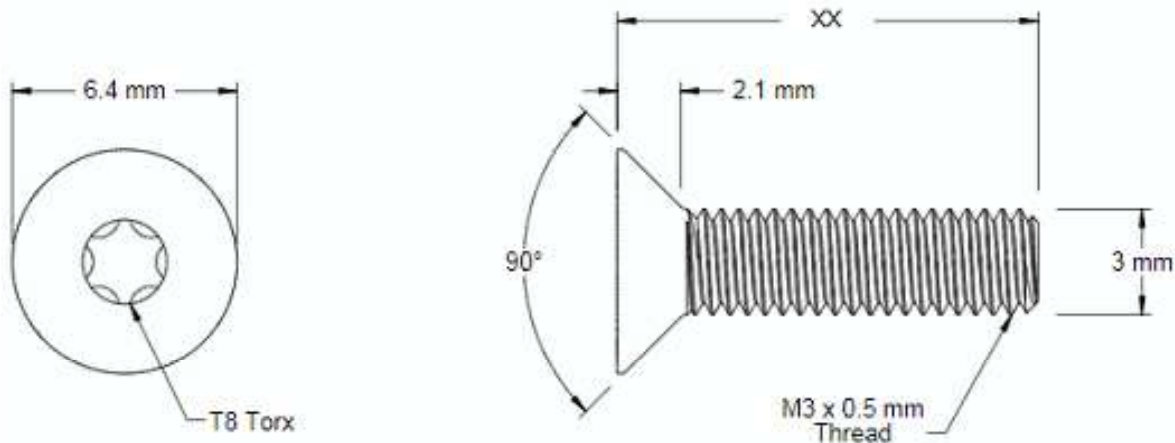



This drawing and the information contained herein are the confidential and proprietary property of Global Supply LLC



PART NUMBER	LENGTH
.30C20SFC SO	2 mm
.30C40SFC SO	4 mm
.30C50SFC SO	5 mm
.30C60SFC SO	6 mm
.30C80SFC SO	8 mm
.30C100SFC SO	10 mm
.30C120SFC SO	12 mm
.30C140SFC SO	14 mm
.30C160SFC SO	16 mm
.30C180SFC SO	18 mm
.30C200SFC SO	20 mm
.30C220SFC SO	22 mm
.30C250SFC SO	25 mm



NOTES:
 1. INTERPRET DRAWINGS PER DIN 7991 STANDARD.
 2. ROHS AND REACH COMPLIANT

DRAWING SCALE: METRIC		MATERIAL: STAINLESS STEEL	DESCRIPTION: M3-.5 SOCKET FLAT HEAD CAP SCREW
TOLERANCES: <i>Unless specified otherwise, all dimensions are in millimeters</i>		FINISH: BLACK OXIDE	PART NUMBER: .30CXXSFC SO
DRAWN BY: L CLARY	FSCM No. 67012		 Global Supply LLC WORLDWIDE SUPPLIER OF ELECTRONIC HARDWARE, FASTENERS & COMPONENTS <small>500 Division Street, Campbell, CA 95008-6906 Tel: 408 960 0370 Fax: 408 960 0375 Web: www.globalsupply.com</small>
REV:	APPROVAL	DATE:	
INITIAL RELEASE	LJA	Jul 24, 2018	
		ECCN EAR99 = NLR (No License Required)	