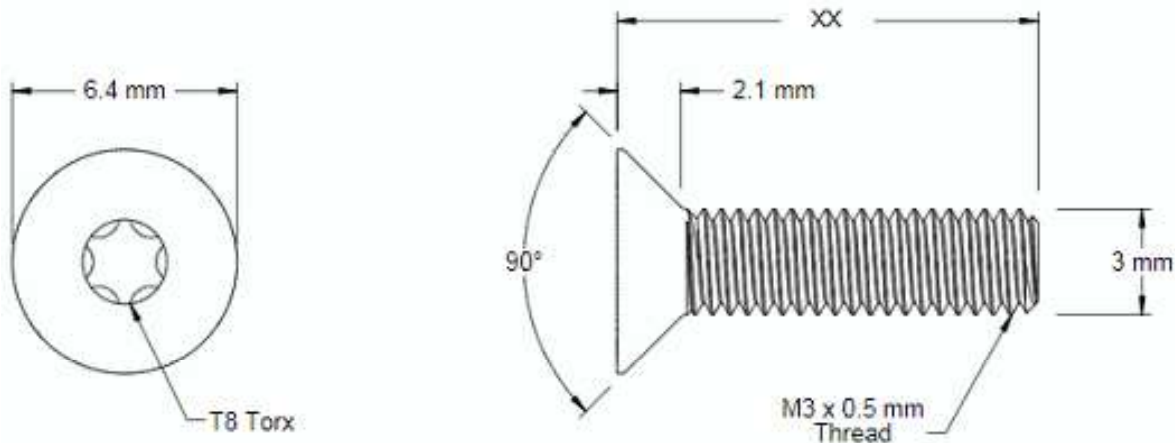



This drawing and the information contained herein are the confidential and proprietary property of Global Supply LLC



PART NUMBER	LENGTH
.30C20SFCSP	2 mm
.30C40SFCSP	4 mm
.30C50SFCSP	5 mm
.30C60SFCSP	6 mm
.30C80SFCSP	8 mm
.30C100SFCSP	10 mm
.30C120SFCSP	12 mm
.30C140SFCSP	14 mm
.30C160SFCSP	16 mm
.30C180SFCSP	18 mm
.30C200SFCSP	20 mm
.30C220SFCSP	22 mm
.30C250SFCSP	25 mm



NOTES:  
 1. INTERPRET DRAWINGS PER DIN 7991 STANDARD.  
 2. ROHS AND REACH COMPLIANT

<b>DRAWING SCALE:</b> METRIC		<b>MATERIAL:</b> STAINLESS STEEL	<b>DESCRIPTION:</b> M3-.5 SOCKET FLAT HEAD CAP SCREW
<b>TOLERANCES:</b> <i>Unless specified otherwise, all dimensions are in millimeters</i>		<b>FINISH:</b> PASSIVATE	<b>PART NUMBER:</b> <b>.30CXXSFCSP</b>
<b>DRAWN BY:</b> L CLARY		<b>FSCM No.</b> 67012	 <b>Global Supply LLC</b> WORLDWIDE SUPPLIER OF ELECTRONIC HARDWARE, FASTENERS & COMPONENTS <small>500 Division Street, Campbell, CA 95008-6906          Tel: 408 960 0370 Fax: 408 960 0375 Web: www.globalsupply.com</small>
<b>REV:</b>	<b>APPROVAL</b>		
INITIAL RELEASE	LJA	Jul 24, 2018	
		<b>ECCN</b> EAR99 = NLR (No License Required)	