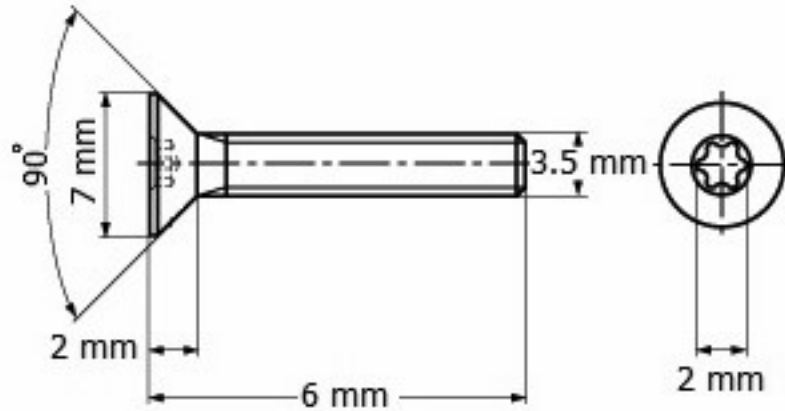



This drawing and the information contained herein are the confidential and proprietary property of Global Supply LLC



NOTES:

1. INTERPRET DRAWINGS PER ISO 14581 STANDARD.
2. DIMENSIONS AND TOLERANCES PER ISO 14581.
3. ROHS AND REACH COMPLIANT

DRAWING SCALE:		MATERIAL:	DESCRIPTION:						
METRIC		STAINLESS STEEL	M3.5 X 6 MM POZI FLAT CAP SCREW						
TOLERANCES: <i>Unless specified otherwise, all dimensions are in millimeters</i>	<table> <tr><td>x.xxx</td><td>+/- 0.100</td></tr> <tr><td>x.xx</td><td>+/- 0.100</td></tr> <tr><td>x.x</td><td>+/- 0.100</td></tr> </table>	x.xxx	+/- 0.100	x.xx	+/- 0.100	x.x	+/- 0.100	FINISH:	PART NUMBER:
x.xxx	+/- 0.100								
x.xx	+/- 0.100								
x.x	+/- 0.100								
		PASSIVATE	.35C60ZFCSP						
DRAWN BY:	L CLARY		 <p>Global Supply LLC WORLDWIDE SUPPLIER OF ELECTRONIC HARDWARE, FASTENERS & COMPONENTS 500 Division Street, Campbell, CA 95008-6906 Tel: 408 960 0370 Fax: 408 960 0375 Web: www.globalsupply.com</p>						
REV:	APPROVAL	DATE:							
INITIAL REV	LJA	Nov 1, 2018							
		FCSM No. 67012 ECCN EAR99 = NLR (No License Required)							