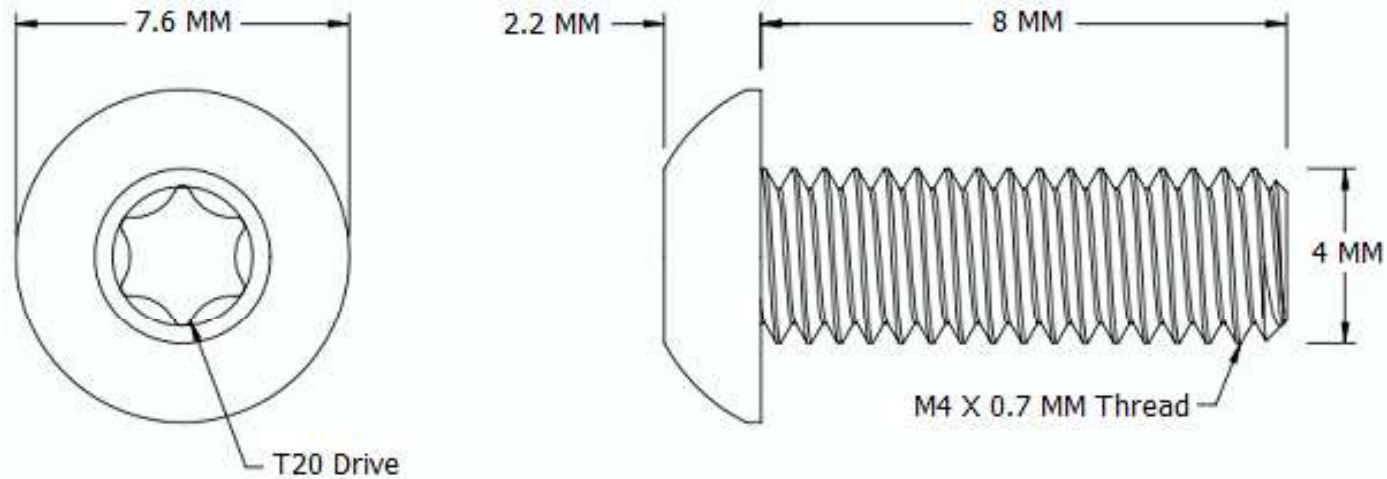



This drawing and the information contained herein are the confidential and proprietary property of Global Supply LLC



NOTES:

1. INTERPRET DRAWINGS PER ISO 7380 STANDARD.
2. ROHS AND REACH COMPLIANT.



DRAWING SCALE: METRIC		MATERIAL: STAINLESS STEEL	DESCRIPTION: M4 X 8 MM TORX BUTTON CAP SCREW	
TOLERANCES: <i>Unless specified otherwise, all dimensions are in millimeters</i>	x.xxx +/- 0.100 x.xx +/- 0.100 x.x +/- 0.100	FINISH: PASSIVATE	PART NUMBER: .40C80XBCSP	
DRAWN BY: L CLARY	FCSM No. 67012		 Global Supply LLC WORLDWIDE SUPPLIER OF ELECTRONIC HARDWARE, FASTENERS & COMPONENTS 500 Division Street, Campbell, CA 95008-6906 Tel: 408 960 0370 Fax: 408 960 0375 Web: www.globalsupply.com	
REV: INITIAL REV				APPROVAL LJA
				ECCN
				EAR99 = NLR (No License Required)