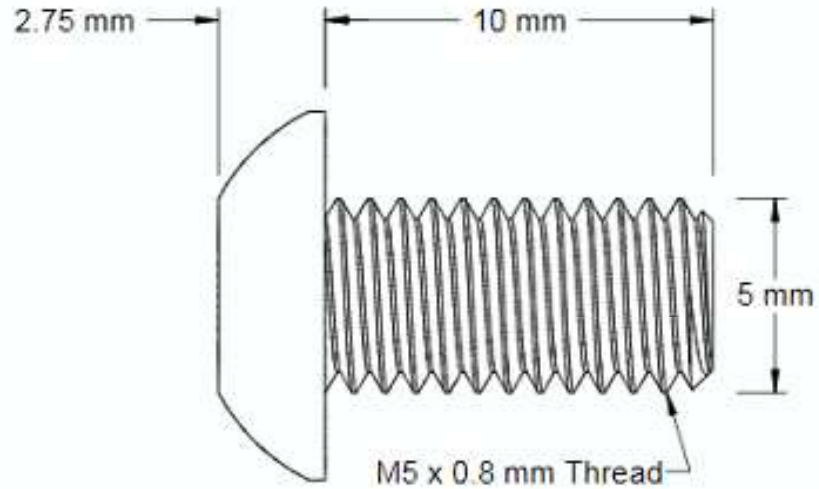
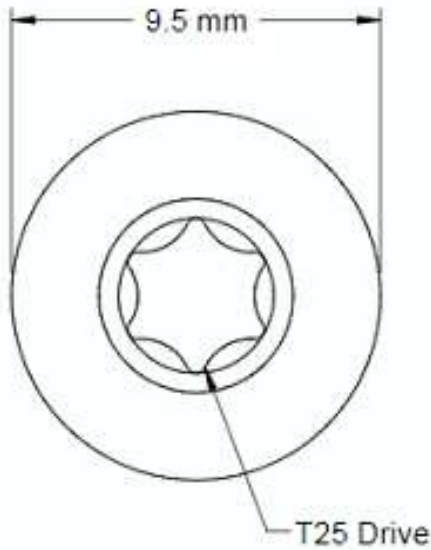



This drawing and the information contained herein are the confidential and proprietary property of Global Supply LLC



NOTES:

1. INTERPRET DRAWINGS PER ISO 7380 STANDARD.
2. ROHS AND REACH COMPLIANT.

DRAWING SCALE:		MATERIAL:		DESCRIPTION:	
METRIC		ALLOY STEEL		M5 X 10 MM TORX HEAD BUTTON CAP SCREW	
TOLERANCES: <i>Unless specified otherwise, all dimensions are in millimeters</i>		FINISH:		PART NUMBER:	
x.xxx +/- 0.100 x.xx +/- 0.100 x.x +/- 0.100		NICKEL		.50C100XBCHN	
DRAWN BY:	L CLARY		FCSM No. 67012		 Global Supply LLC WORLDWIDE SUPPLIER OF ELECTRONIC HARDWARE, FASTENERS & COMPONENTS 500 Division Street, Campbell, CA 95008-6906 Tel: 408 960 0370 Fax: 408 960 0375 Web: www.globalsupply.com
REV:	APPROVAL	DATE:			
INITIAL REV	LJA	Sep 17, 2018			
			ECCN		
			EAR99 = NLR (No License Required)		