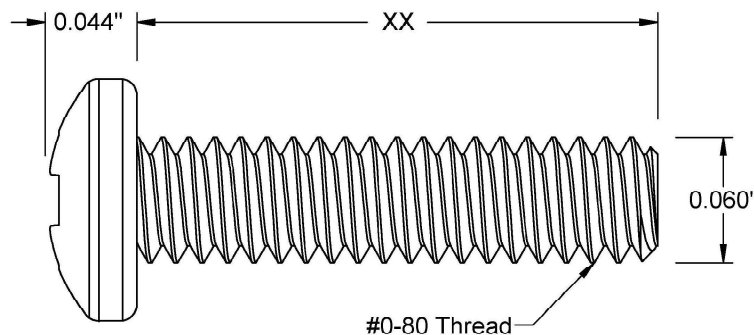
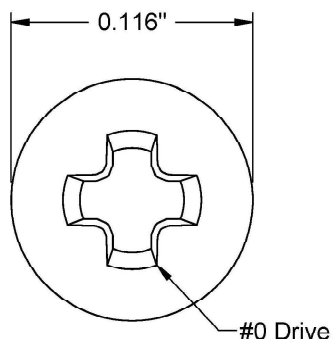



This drawing and the information contained herein are the confidential and proprietary property of Global Supply LLC

PART NUMBER	LENGTH
OF8MPP2Z	1/8
OF12MPP2Z	3/16
OF16MPP2Z	1/4
OF20MPP2Z	5/16
OF24MPP2Z	3/8
OF32MPP2Z	1/2
OF40MPP2Z	5/8
OF48MPP2Z	3/4
OF56MPP2Z	7/8
OF64MPP2Z	1
OF80MPP2Z	1 1/4



NOTES:  
 1. INTERPRET DRAWINGS PER ASME Y14.5M-1994 STANDARD.  
 2. DIMENSIONS & TOLERANCES PER ANSI/ASME B18.6.3

<b>DRAWING SCALE:</b>		<b>MATERIAL:</b>	<b>DESCRIPTION:</b>
<b>STANDARD</b>		<b>STEEL</b>	<b>#0-80 PHILLIPS PAN HEAD MACHINE SCREW</b>
<b>TOLERANCES:</b> <i>Unless specified otherwise, all dimensions are in inches</i>	<b>x.xxx +/- 0.005</b> <b>x.xx +/- 0.010</b> <b>x.x +/- 0.010</b>	<b>FINISH:</b>	<b>PART NUMBER:</b>
		<b>ZINC I</b>	<b>OFXXMPP2Z</b>
<b>DRAWN BY:</b>	L.CLARY	<b>FSCM No.</b>	 <b>Global Supply LLC</b> WORLDWIDE SUPPLIER OF ELECTRONIC HARDWARE, FASTENERS & COMPONENTS <small>500 Division Street, Campbell, CA 95008-6906          Tel: 408 960 0370 Fax: 408 960 0375 Web: www.globalsupply.com</small>
<b>REV:</b>	<b>APPROVAL</b>	<b>DATE:</b>	
INITIAL RELEASE	LJA	Apr 4, 2018	
		<b>ECCN</b>	
		EAR99 = NLR (No License Required)	