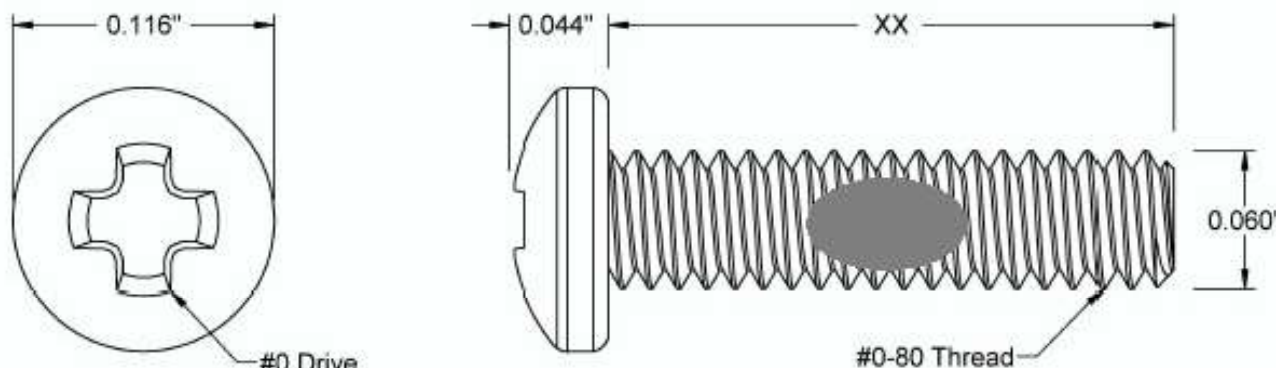



This drawing and the information contained herein are the confidential and proprietary property of Global Supply LLC

PART NUMBER	LENGTH
OF6MPPSP/SPA	3/32
OF8MPPSP/SPA	1/8
OF10MPPSP/SPA	5/32
OF12MPPSP/SPA	3/16
OF16MPPSP/SPA	1/4
OF20MPPSP/SPA	5/16
OF24MPPSP/SPA	3/8
OF32MPPSP/SPA	1/2
OF48MPPSP/SPA	3/4
OF56MPPSP/SPA	7/8
OF64MPPSP/SPA	1



NOTES:
 1. INTERPRET DRAWINGS PER ASME Y14.5M-1994 STANDARD.
 2. DIMENSIONS & TOLERANCES PER ANSI/ASME B18.6.3
 3. ROHS AND REACH COMPLIANT

DRAWING SCALE:		MATERIAL:	DESCRIPTION:
STANDARD		STAINLESS STEEL	#0-80 PHILLIPS PAN HEAD MACHINE SCREW, NYLOK PATCH
TOLERANCES: <i>Unless specified otherwise, all dimensions are in inches</i>	x.xxx +/- 0.005 x.xx +/- 0.010 x.x +/- 0.010	FINISH:	PART NUMBER:
DRAWN BY:	L.CLARY	PASSIVATE	OFXXMPPSP/SPA
REV:	APPROVAL	FSCM No.	 Global Supply LLC WORLDWIDE SUPPLIER OF ELECTRONIC HARDWARE, FASTENERS & COMPONENTS <small>500 Division Street, Campbell, CA 95008-6906 Tel: 408 960 0370 Fax: 408 960 0375 Web: www.globalsupply.com</small>
INITIAL RELEASE	LJA	DATE:	
		May 3, 2018	
		ECCN	
		EAR99 = NLR (No License Required)	