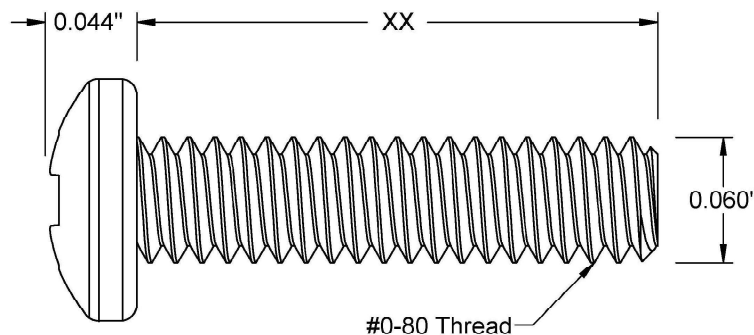
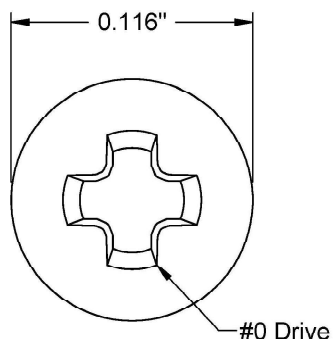



This drawing and the information contained herein are the confidential and proprietary property of Global Supply LLC

PART NUMBER	LENGTH
OF6MPPSP	3/32
OF8MPPSP	1/8
OF10MPPSP	5/32
OF12MPPSP	3/16
OF16MPPSP	1/4
OF20MPPSP	5/16
OF24MPPSP	3/8
OF32MPPSP	1/2
OF48MPPSP	3/4
OF56MPPSP	7/8
OF64MPPSP	1



NOTES:
 1. INTERPRET DRAWINGS PER ASME Y14.5M-1994 STANDARD.
 2. DIMENSIONS & TOLERANCES PER ANSI/ASME B18.6.3
 3. ROHS AND REACH COMPLIANT

DRAWING SCALE: STANDARD		MATERIAL: STAINLESS STEEL	DESCRIPTION: #0-80 PHILLIPS PAN HEAD MACHINE SCREW
TOLERANCES: <i>Unless specified otherwise, all dimensions are in inches</i>	x.xxx +/- 0.005 x.xx +/- 0.010 x.x +/- 0.010	FINISH: PASSIVATE	PART NUMBER: OFXXMPPSP
DRAWN BY: L.CLARY	FSCM No. 67012		 Global Supply LLC WORLDWIDE SUPPLIER OF ELECTRONIC HARDWARE, FASTENERS & COMPONENTS <small>500 Division Street, Campbell, CA 95008-6906 Tel: 408 960 0370 Fax: 408 960 0375 Web: www.globalsupply.com</small>
REV: INITIAL RELEASE			
A	LJA	Aug 26, 2014	
B	LJA	Apr 4, 2018	
		ECCN EAR99 = NLR (No License Required)	