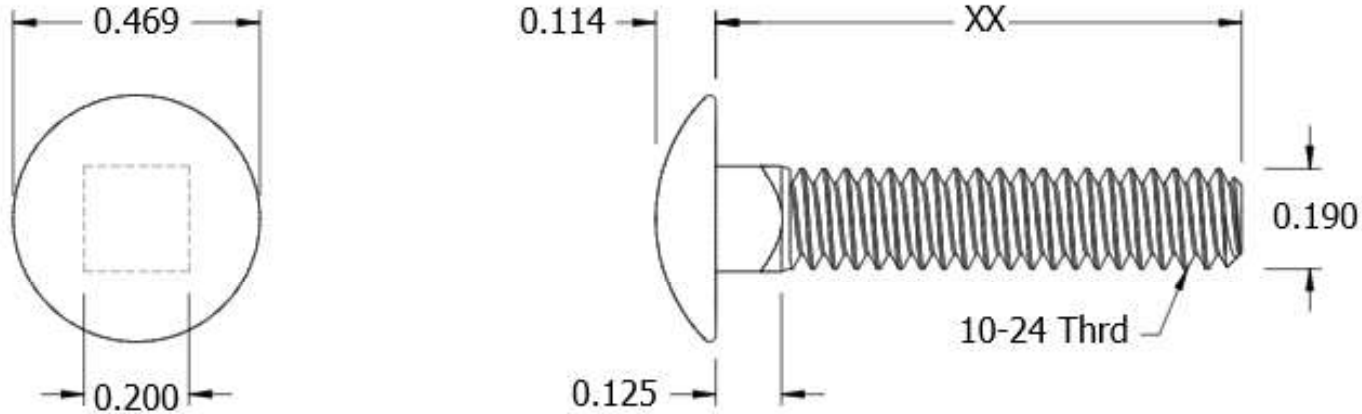



This drawing and the information contained herein are the confidential and proprietary property of Global Supply LLC



PART NUMBER	LENGTH
10C8BCR2Z	1/8
10C16BCR2Z	1/4
10C24BCR2Z	3/8
10C32BCR2Z	1/2
10C40BCR2Z	5/8
10C48BCR2Z	3/4
10C56BCR2Z	7/8
10C64BCR2Z	1
10C80BCR2Z	1 1/4
10C96BCR2Z	1 1/2
10C112BCR2Z	1 3/4
10C128BCR2Z	2



- NOTES:
 1. INTERPRET DRAWINGS PER ASME Y14.5M-1994 STANDARD.
 2. DIMENSIONS & TOLERANCES PER ANSI/ASME B18.5

DRAWING SCALE:		MATERIAL:	DESCRIPTION:
STANDARD		STEEL	10-24 CARRIAGE BOLT
TOLERANCES: <i>Unless specified otherwise, all dimensions are in inches</i>	x.xxx +/- 0.005 x.xx +/- 0.010 x.x +/- 0.010	FINISH:	PART NUMBER:
		ZINC I	10CXXBCR2Z
DRAWN BY:	LCLARY		 Global Supply LLC WORLDWIDE SUPPLIER OF ELECTRONIC HARDWARE, FASTENERS & COMPONENTS <small>500 Division Street, Campbell, CA 95008-6906 Tel: 408 960 0370 Fax: 408 960 0375 Web: www.globalsupply.com</small>
REV:	APPROVAL	DATE:	
INITIAL RELEASE	LJA	Jun 6, 2018	
		FSCM No. 67012	
		ECCN	
		EAR99 = NLR (No License Required)	