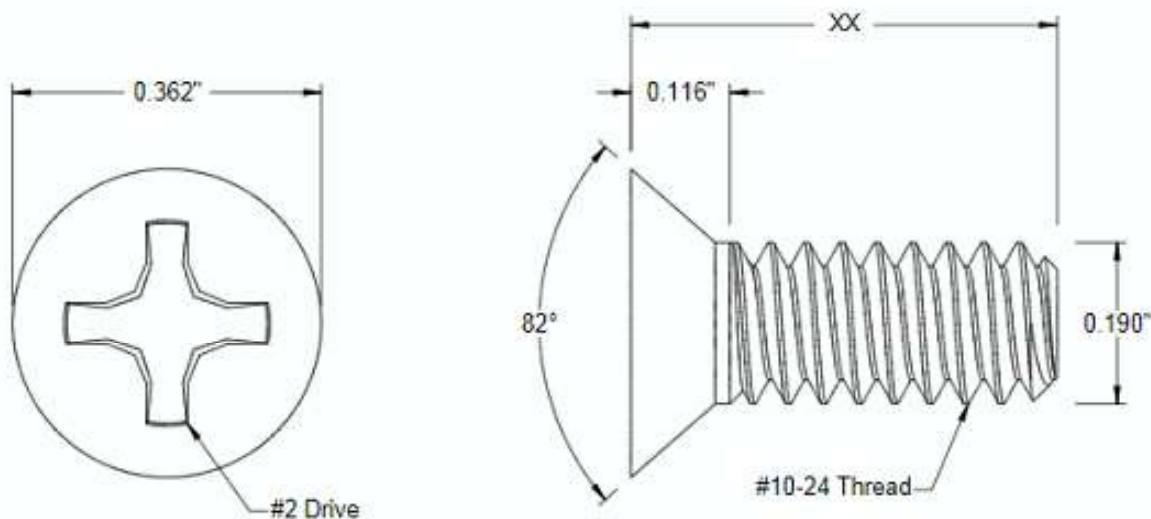



This drawing and the information contained herein are the confidential and proprietary property of Global Supply LLC



PART NUMBER	LENGTH
10C8MP8T	1/8
10C12MP8T	3/16
10C16MP8T	1/4
10C20MP8T	5/16
10C24MP8T	3/8
10C28MP8T	7/16
10C32MP8T	1/2
10C40MP8T	5/8
10C44MP8T	11/16
10C48MP8T	3/4
10C56MP8T	7/8
10C64MP8T	1



NOTES:  
 1. INTERPRET DRAWINGS PER ASME Y14.5M-1994 STANDARD.  
 2. DIMENSIONS & TOLERANCES PER ANSI/ASME B18.6.3.  
 3. ROHS AND REACH COMPLIANT

<b>DRAWING SCALE:</b>		<b>MATERIAL:</b>	<b>DESCRIPTION:</b>
<b>STANDARD</b>		<b>TITANIUM</b>	<b>10-24 PHILLIPS FLAT HEAD 82° MACHINE SCREW</b>
<b>TOLERANCES:</b> <i>Unless specified otherwise, all dimensions are in inches</i>	<b>x.xxx +/- 0.005</b> <b>x.xx +/- 0.010</b> <b>x.x +/- 0.010</b>	<b>FINISH:</b>	<b>PART NUMBER:</b>
		<b>PLAIN</b>	<b>10CXXMP8T</b>
<b>DRAWN BY:</b>	L CLARY		 <b>Global Supply LLC</b> WORLDWIDE SUPPLIER OF ELECTRONIC HARDWARE, FASTENERS & COMPONENTS <small>500 Division Street, Campbell, CA 95008-6906          Tel: 408 960 0370 Fax: 408 960 0375 Web: www.globalsupply.com</small>
<b>REV:</b>	<b>APPROVAL</b>	<b>DATE:</b>	
INITIAL RELEASE	LJA	Jul 16, 2018	
		FSCM No. <b>67012</b>	
		ECCN	
		EAR99 = NLR (No License Required)	