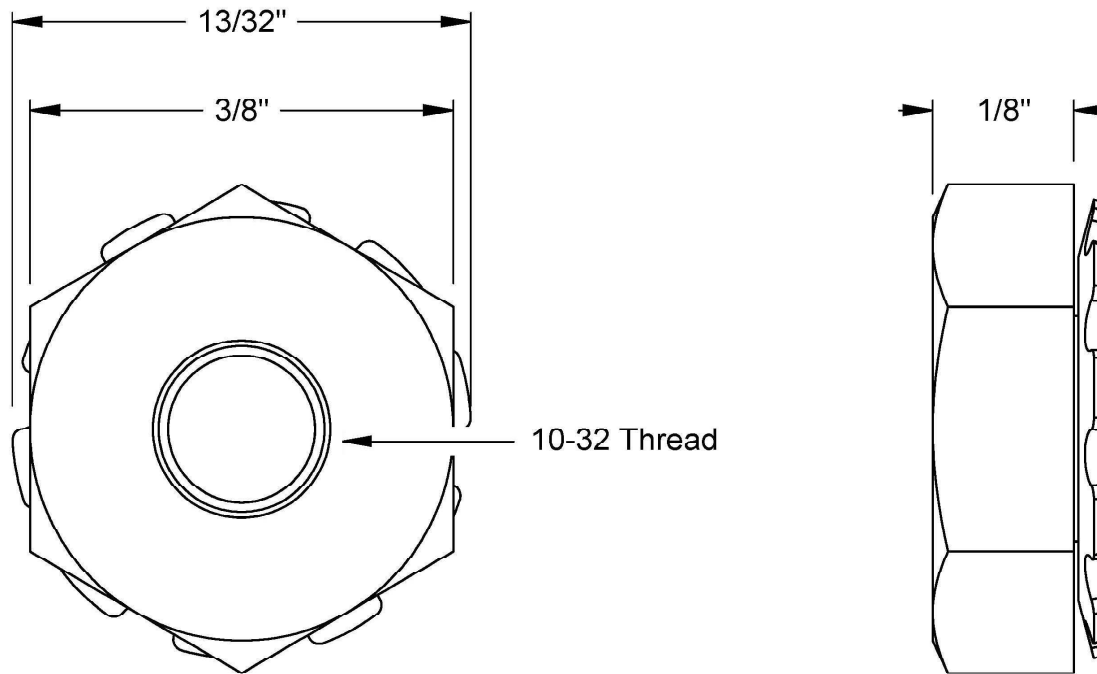



This drawing and the information contained herein are the confidential and proprietary property of Global Supply LLC



NOTES:

1. INTERPRET DRAWINGS PER ASME Y14.5M-1994 STANDARD.
2. DIMENSIONS & TOLERANCE PER ANSI/ASME B18.22.2
3. ROHS AND REACH COMPLIANT

<b>DRAWING SCALE:</b>		<b>MATERIAL:</b>	<b>DESCRIPTION:</b>
<b>STANDARD</b>		<b>STEEL</b>	<b>#10-32 K-LOCK HEX NUT</b>
<b>TOLERANCES:</b> <i>Unless specified otherwise, all dimensions are in inches</i>	x.xxx +/- 0.005 x.xx +/- 0.010 x.x +/- 0.010	<b>FINISH:</b>	<b>PART NUMBER:</b>
		<b>ZINC CLEAR RoHS</b>	<b>10FNKP23</b>
<b>DRAWN BY:</b>	<b>L.CLARY</b>		 <b>Global Supply LLC</b> WORLDWIDE SUPPLIER OF ELECTRONIC HARDWARE, FASTENERS & COMPONENTS <small>500 Division Street, Campbell, CA 95008-6906          Tel: 408 960 0370 Fax: 408 960 0375 Web: www.globalsupply.com</small>
<b>REV:</b>	<b>APPROVAL</b>	<b>DATE:</b>	
INITIAL	LJA	Nov 2, 2009	
A	LJA	Sep 11, 2014	
B	LJA	Apr 13, 2018	
			FCSM No. <b>67012</b> ECCN EAR99 = NLR (No License Required)