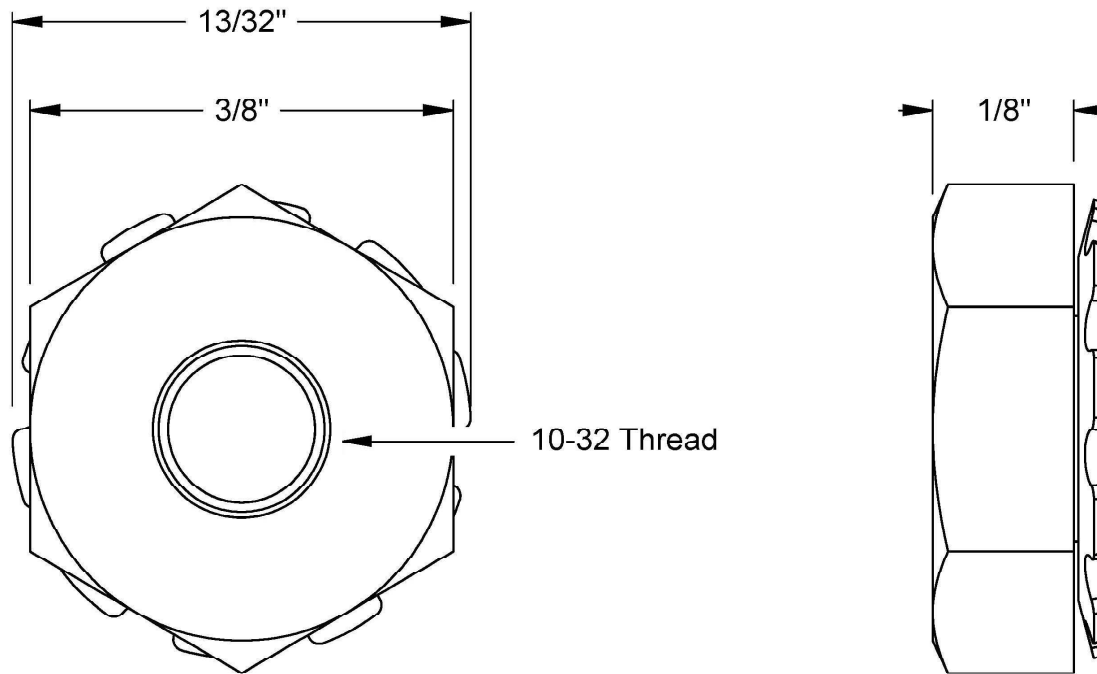



This drawing and the information contained herein are the confidential and proprietary property of Global Supply LLC



NOTES:

1. INTERPRET DRAWINGS PER ASME Y14.5M-1994 STANDARD.
2. DIMENSIONS & TOLERANCE PER ANSI/ASME B18.22.2
3. ROHS AND REACH COMPLIANT

| | | | | | |
|---|-----------------|---------------------|--|------------------------------|---|
| DRAWING SCALE: | | MATERIAL: | | DESCRIPTION: | |
| STANDARD | | STEEL | | #10-32 K-LOCK HEX NUT | |
| TOLERANCES: <i>Unless specified otherwise, all dimensions are in inches</i> | | FINISH: | | PART NUMBER: | |
| x.xxx +/- 0.005 x.xx +/- 0.010 x.x +/- 0.010 | | ZINC II | | 10FNKP2Y | |
| DRAWN BY: | L.CLARY | | FCSM No. 67012 | |  Global Supply LLC WORLDWIDE SUPPLIER OF ELECTRONIC HARDWARE, FASTENERS & COMPONENTS 500 Division Street, Campbell, CA 95008-6906 Tel: 408 960 0370 Fax: 408 960 0375 Web: www.globalsupply.com |
| REV: | APPROVAL | DATE: | | | |
| INITIAL | LJA | Apr 13, 2018 | | | |
| | | | | | |
| | | | | | |
| | | | ECCN | | |
| | | | EAR99 = NLR (No License Required) | | |