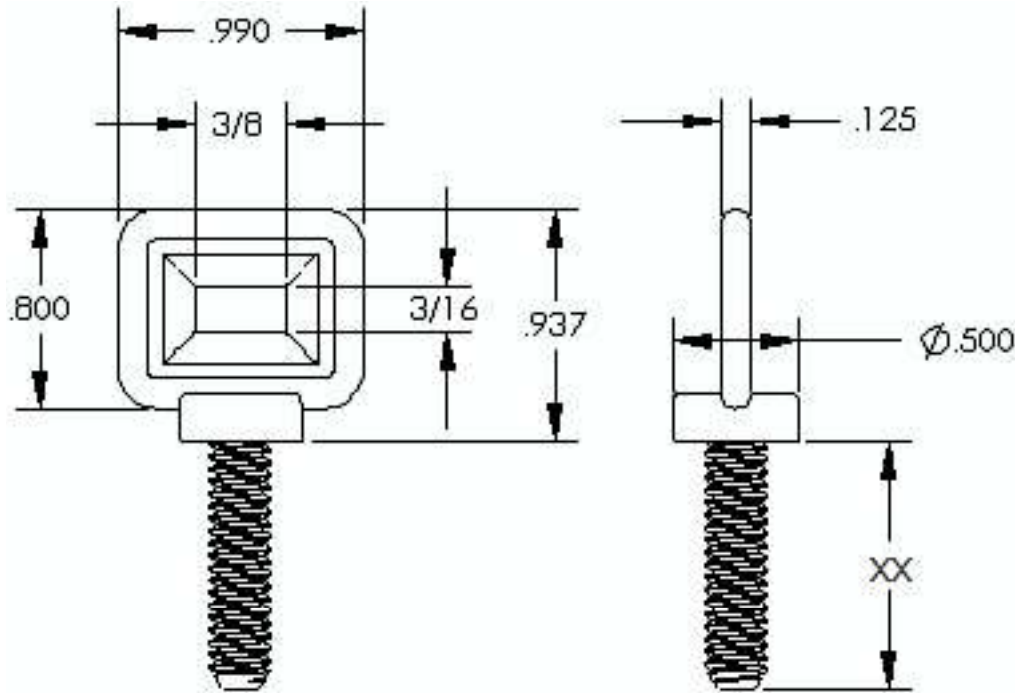



This drawing and the information contained herein are the confidential and proprietary property of Global Supply LLC



PART NUMBER	LENGTH
10F8BWGN	1/8
10F16BWGN	1/4
10F24BWGN	3/8
10F32BWGN	1/2
10F40BWGN	5/8
10F48BWGN	3/4
10F56BWGN	7/8
10F64BWGN	1

NOTES:
 1. INTERPRET DRAWINGS PER ASME Y14.5M-1994 STANDARD.
 2. ROHS AND REACH COMPLIANT

DRAWING SCALE:		MATERIAL:		DESCRIPTION:	
STANDARD		NYLON		10-32 FLAT WING SCREW	
TOLERANCES: <i>Unless specified otherwise, all dimensions are in inches</i>		FINISH:		PART NUMBER:	
x.xxx +/- 0.005 x.xx +/- 0.010 x.x +/- 0.010				10FXXBWGN	
DRAWN BY:	L.CLARY		FSCM No. 67012		 Global Supply LLC WORLDWIDE SUPPLIER OF ELECTRONIC HARDWARE, FASTENERS & COMPONENTS <small>500 Division Street, Campbell, CA 95008-6906 Tel: 408 960 0370 Fax: 408 960 0375 Web: www.globalsupply.com</small>
REV:	APPROVAL	DATE:			
INITIAL RELEASE	LJA	May 18, 2018			
			ECCN		
			EAR99 = NLR (No License Required)		