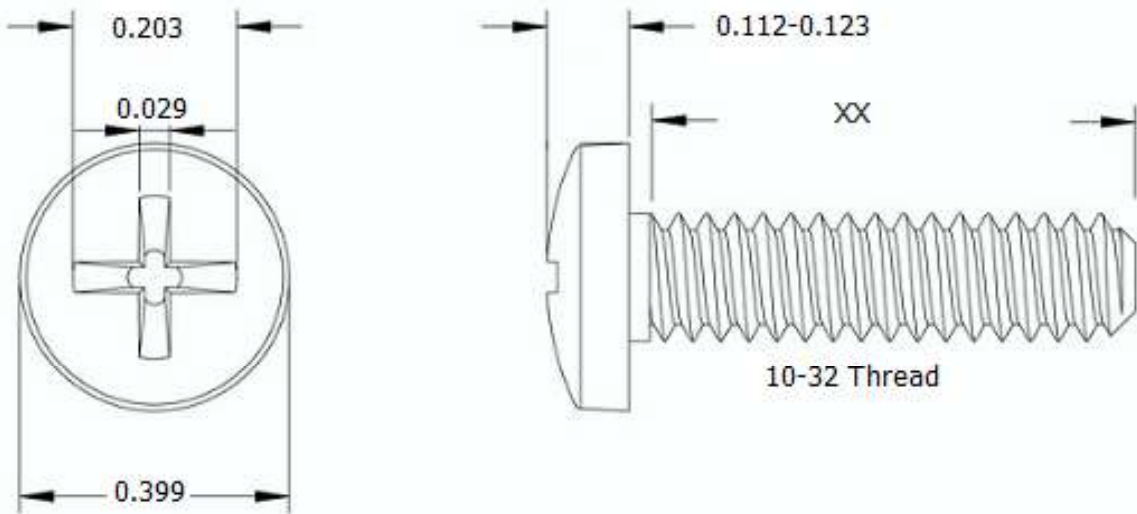



This drawing and the information contained herein are the confidential and proprietary property of Global Supply LLC



PART NUMBER	LENGTH
10F4MPBSP	1/16
10F8MPBSP	1/8
10F12MPBSP	3/16
10F16MPBSP	1/4
10F20MPBSP	5/16
10F24MPBSP	3/8
10F28MPBSP	7/16
10F32MPBSP	1/2
10F36MPBSP	9/16
10F40MPBSP	5/8
10F48MPBSP	3/4
10F56MPBSP	7/8
10F64MPBSP	1

NOTES:
 1. INTERPRET DRAWINGS PER ASME Y14.5M-1994 STANDARD.
 2. DIMENSIONS & TOLERANCES PER ANSI/ASME B18.6.3.
 3. ROHS AND REACH COMPLIANT

DRAWING SCALE: STANDARD		MATERIAL: STAINLESS STEEL	DESCRIPTION: 10-32 PHILIPS BINDER HEAD MACHINE SCREW
TOLERANCES: <i>Unless specified otherwise, all dimensions are in inches</i>	x.xxx +/- 0.005 x.xx +/- 0.010 x.x +/- 0.010	FINISH: PASSIVATE	PART NUMBER: 10FXXMPBSP
DRAWN BY: L. CLARY	FSCM No. 67012		 Global Supply LLC WORLDWIDE SUPPLIER OF ELECTRONIC HARDWARE, FASTENERS & COMPONENTS <small>500 Division Street, Campbell, CA 95008-6906 Tel: 408 960 0370 Fax: 408 960 0375 Web: www.globalsupply.com</small>
REV:			
INITIAL RELEASE	LJA	Jul 6, 2018	
		ECCN EAR99 = NLR (No License Required)	