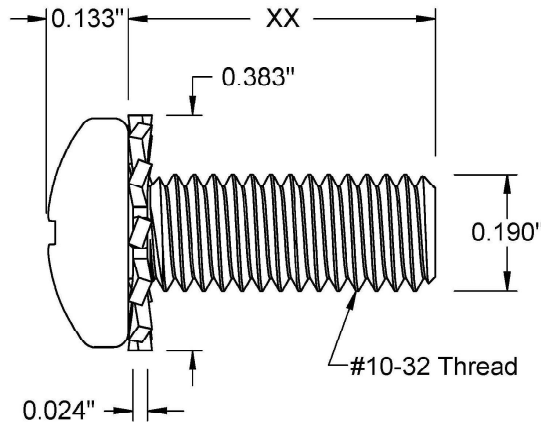
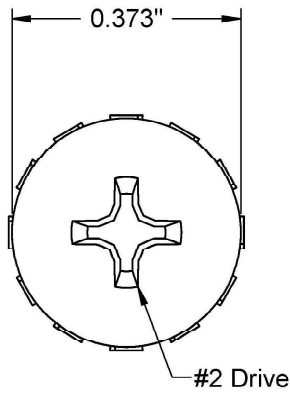



This drawing and the information contained herein are the confidential and proprietary property of Global Supply LLC



PART NUMBER	LENGTH
10F8MPPSP/SEX	1/8
10F12MPPSP/SEX	3/16
10F16MPPSP/SEX	1/4
10F20MPPSP/SEX	5/16
10F24MPPSP/SEX	3/8
10F28MPPSP/SEX	7/16
10F32MPPSP/SEX	1/2
10F40MPPSP/SEX	5/8
10F48MPPSP/SEX	3/4
10F56MPPSP/SEX	7/8
10F64MPPSP/SEX	1
10F80MPPSP/SEX	1 1/4
10F96MPPSP/SEX	1 1/2

NOTES:
 1. INTERPRET DRAWINGS PER ASME Y14.5M-1994 STANDARD.
 2. DIMENSIONS & TOLERANCES PER ANSI/ASME B18.6.3
 3. ROHS AND REACH COMPLIANT

DRAWING SCALE:		MATERIAL:		DESCRIPTION:							
STANDARD		STAINLESS STEEL		#10-32 PAN PHILLIPS MACHINE SCREW, SEMS EXTERNAL							
TOLERANCES: <i>Unless specified otherwise, all dimensions are in inches</i>		FINISH:		PART NUMBER:							
<table border="0"> <tr> <td>x.xxx</td> <td>+/- 0.005</td> </tr> <tr> <td>x.xx</td> <td>+/- 0.010</td> </tr> <tr> <td>x.x</td> <td>+/- 0.010</td> </tr> </table>		x.xxx	+/- 0.005	x.xx	+/- 0.010	x.x	+/- 0.010	PASSIVATE		10FXXMPPSP/SEX	
x.xxx	+/- 0.005										
x.xx	+/- 0.010										
x.x	+/- 0.010										
DRAWN BY:	L.CLARY	FSCM No.		 Global Supply LLC WORLDWIDE SUPPLIER OF ELECTRONIC HARDWARE, FASTENERS & COMPONENTS <small>500 Division Street, Campbell, CA 95008-6906 Tel: 408 960 0370 Fax: 408 960 0375 Web: www.globalsupply.com</small>							
REV:	APPROVAL	67012									
INITIAL RELEASE	LJA	ECCN									
A	LJA	EAR99 = NLR (No License Required)									
B	LJA										
	DATE:										
	Sep 3, 2009										
	Sep 19, 2014										
	Mar 15, 2018										