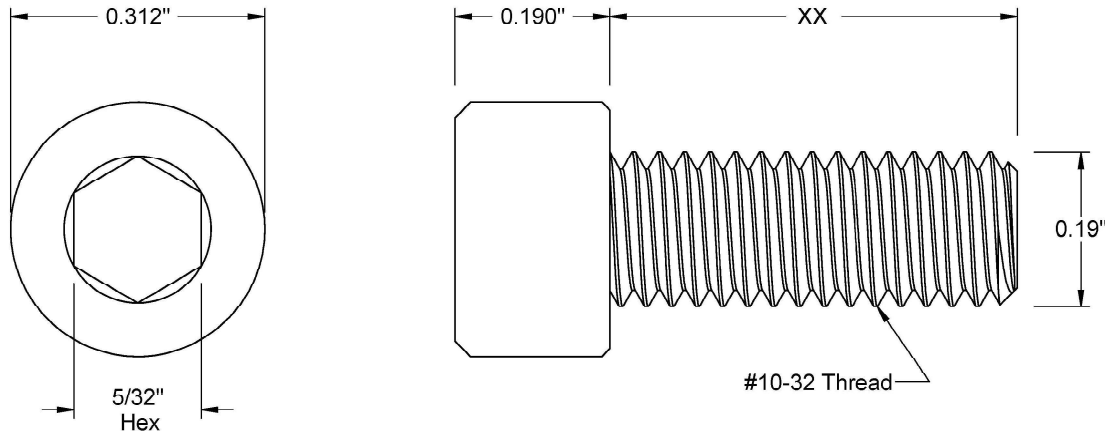



This drawing and the information contained herein are the confidential and proprietary property of Global Supply LLC



PART NUMBER	LENGTH
10F8SCSB	1/8
10F12SCSB	3/16
10F16SCSB	1/4
10F20SCSB	5/16
10F24SCSB	3/8
10F28SCSB	7/16
10F32SCSB	1/2
10F40SCSB	5/8
10F48SCSB	3/4
10F56SCSB	7/8
10F64SCSB	1
10F80SCSB	1 1/4

NOTES:  
 1. INTERPRET DRAWINGS PER ASME Y14.5M-1994 STANDARD.  
 2. DIMENSIONS & TOLERANCES PER ANSI/ASME B18.3.  
 3. ROHS AND REACH COMPLIANT

<b>DRAWING SCALE:</b>		<b>MATERIAL:</b>		<b>DESCRIPTION:</b>	
<b>STANDARD</b>		<b>BRASS</b>		<b>#10-32 SOCKET CAP MACHINE SCREW</b>	
<b>TOLERANCES:</b> <i>Unless specified otherwise, all dimensions are in inches</i>		<b>FINISH:</b>		<b>PART NUMBER:</b>	
x.xxx +/- 0.005 x.xx +/- 0.010 x.x +/- 0.010		<b>PLAIN</b>		<b>10FXXSCSB</b>	
<b>DRAWN BY:</b>	L.CLARY		<b>FSCM No.</b>		 <b>Global Supply LLC</b> WORLDWIDE SUPPLIER OF ELECTRONIC HARDWARE, FASTENERS & COMPONENTS <small>500 Division Street, Campbell, CA 95008-6906          Tel: 408 960 0370 Fax: 408 960 0375 Web: www.globalsupply.com</small>
<b>REV:</b>	<b>APPROVAL</b>	<b>DATE:</b>	<b>67012</b>		
<b>INITIAL RELEASE</b>	LJA	<b>May 2, 2018</b>	<b>ECCN</b>		
			<b>EAR99 = NLR (No License Required)</b>		