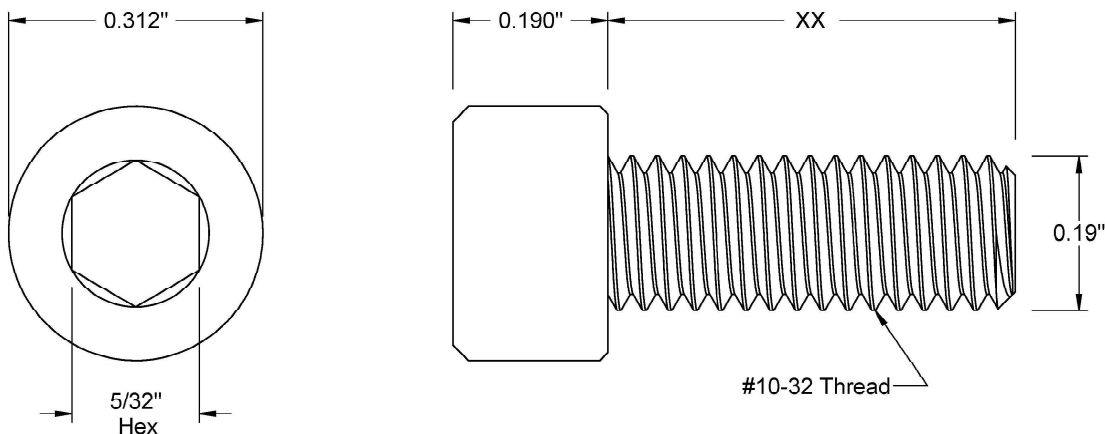



This drawing and the information contained herein are the confidential and proprietary property of Global Supply LLC



| PART NUMBER | LENGTH |
|-------------|--------|
| 10F8SCSSP | 1/8 |
| 10F12SCSSP | 3/16 |
| 10F16SCSSP | 1/4 |
| 10F20SCSSP | 5/16 |
| 10F24SCSSP | 3/8 |
| 10F28SCSSP | 7/16 |
| 10F32SCSSP | 1/2 |
| 10F36SCSSP | 9/16 |
| 10F40SCSSP | 5/8 |
| 10F48SCSSP | 3/4 |
| 10F56SCSSP | 7/8 |
| 10F64SCSSP | 1 |
| 10F72SCSSP | 1 1/8 |

NOTES:
 1. INTERPRET DRAWINGS PER ASME Y14.5M-1994 STANDARD.
 2. DIMENSIONS & TOLERANCES PER ANSI/ASME B18.3.
 3. ROHS AND REACH COMPLIANT

| | | | |
|---|---|--|---|
| DRAWING SCALE: STANDARD | | MATERIAL: STAINLESS STEEL | DESCRIPTION: #10-32 SOCKET CAP MACHINE SCREW |
| TOLERANCES: <i>Unless specified otherwise, all dimensions are in inches</i> | x.xxx +/- 0.005 x.xx +/- 0.010 x.x +/- 0.010 | FINISH: PASSIVATE | PART NUMBER: 10FXXSCSSP |
| DRAWN BY: L.CLARY | FSCM No. 67012 | |  Global Supply LLC WORLDWIDE SUPPLIER OF ELECTRONIC HARDWARE, FASTENERS & COMPONENTS <small>500 Division Street, Campbell, CA 95008-6906 Tel: 408 960 0370 Fax: 408 960 0375 Web: www.globalsupply.com</small> |
| REV: | APPROVAL | DATE: | |
| INITIAL RELEASE | LJA | Nov 2, 2009 | |
| A | LJA | Sep 26, 2014 | |
| B | LJA | Apr 16, 2018 | ECCN EAR99 = NLR (No License Required) |