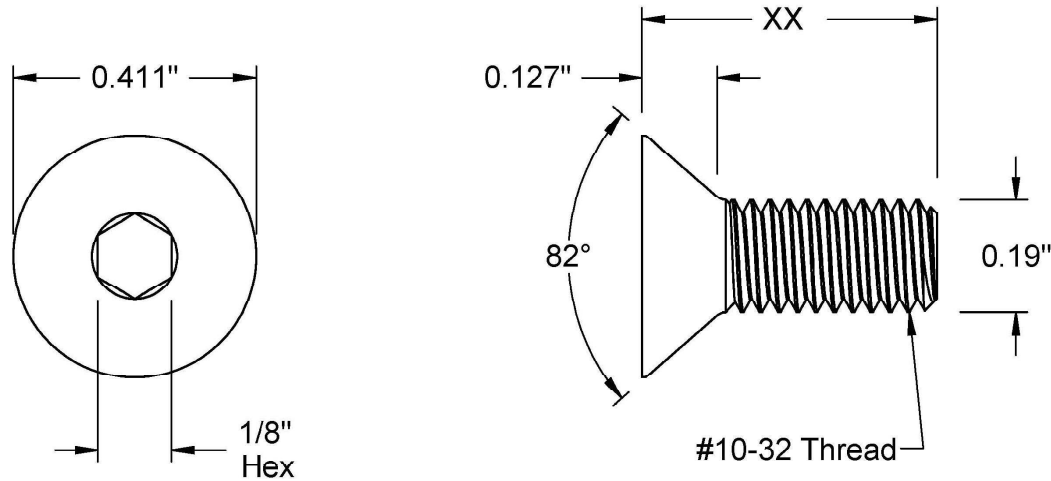



This drawing and the information contained herein are the confidential and proprietary property of Global Supply LLC



PART NUMBER	LENGTH
10F8SFCH	1/8
10F12SFCH	3/16
10F16SFCH	1/4
10F20SFCH	5/16
10F24SFCH	3/8
10F28SFCH	7/16
10F32SFCH	1/2
10F40SFCH	5/8
10F48SFCH	3/4
10F56SFCH	7/8
10F64SFCH	1
10F80SFCH	1 1/4
10F96SFCH	1 1/2

NOTES:
 1. INTERPRET DRAWINGS PER ASME Y14.5M-1994 STANDARD.
 2. DIMENSIONS & TOLERANCES PER ANSI/ASME B18.2.1
 3. ROHS AND REACH COMPLIANT

DRAWING SCALE:		MATERIAL:		DESCRIPTION:	
STANDARD		ALLOY STEEL		#10-32 SOCKET FLAT CAP MACHINE SCREW	
TOLERANCES: <i>Unless specified otherwise, all dimensions are in inches</i>		FINISH:		PART NUMBER:	
x.xxx +/- 0.005 x.xx +/- 0.010 x.x +/- 0.010		PLAIN		10FXXSFCH	
DRAWN BY:	L.CLARY		FSCM No.		 Global Supply LLC WORLDWIDE SUPPLIER OF ELECTRONIC HARDWARE, FASTENERS & COMPONENTS <small>500 Division Street, Campbell, CA 95008-6906 Tel: 408 960 0370 Fax: 408 960 0375 Web: www.globalsupply.com</small>
REV:	APPROVAL	DATE:	67012		
INITIAL RELEASE	LJA	Apr 17, 2018	ECCN		
			EAR99 = NLR (No License Required)		