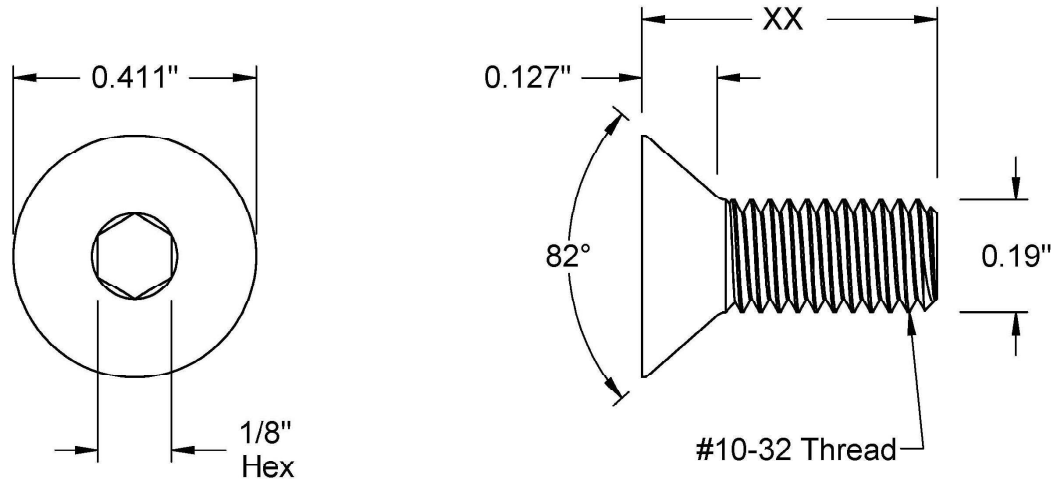



This drawing and the information contained herein are the confidential and proprietary property of Global Supply LLC



PART NUMBER	LENGTH
10F8SFCSO	1/8
10F12SFCSO	3/16
10F16SFCSO	1/4
10F20SFCSO	5/16
10F24SFCSO	3/8
10F28SFCSO	7/16
10F32SFCSO	1/2
10F40SFCSO	5/8
10F48SFCSO	3/4
10F56SFCSO	7/8
10F64SFCSO	1
10F80SFCSO	1 1/4
10F96SFCSO	1 1/2

NOTES:

1. INTERPRET DRAWINGS PER ASME Y14.5M-1994 STANDARD.
2. DIMENSIONS & TOLERANCES PER ANSI/ASME B18.2.1
3. ROHS AND REACH COMPLIANT

DRAWING SCALE:		MATERIAL:	DESCRIPTION:
STANDARD		STAINLESS STEEL	#10-32 SOCKET FLAT CAP MACHINE SCREW
TOLERANCES: <i>Unless specified otherwise, all dimensions are in inches</i>	x.xxx +/- 0.005 x.xx +/- 0.010 x.x +/- 0.010	FINISH:	PART NUMBER:
		BLACK OXIDE	10FXXSFCSO
DRAWN BY:	L.CLARY		 Global Supply LLC WORLDWIDE SUPPLIER OF ELECTRONIC HARDWARE, FASTENERS & COMPONENTS <small>500 Division Street, Campbell, CA 95008-6906 Tel: 408 960 0370 Fax: 408 960 0375 Web: www.globalsupply.com</small>
REV:	APPROVAL	DATE:	
INITIAL RELEASE	LJA	Apr 17, 2018	
		FSCM No. 67012	
		ECCN	
		EAR99 = NLR (No License Required)	