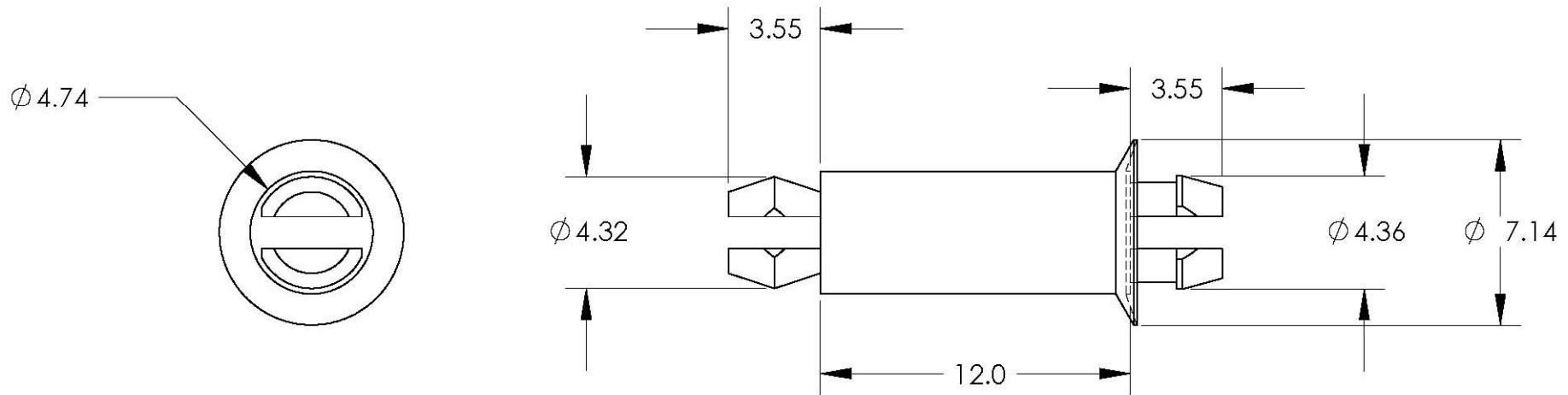



This drawing and the information contained herein are the confidential and proprietary property of Global Supply LLC



NOTES:

1. INTERPRET DRAWING PER ASME Y14.5M-1994
2. ROHS AND REACH COMPLIANT

DRAWING SCALE:		MATERIAL:		DESCRIPTION:	
METRIC		NYLON		PCB POST "MSP" SERIES	
TOLERANCES: <i>Unless specified otherwise, all dimensions are in inches</i>		FINISH:		PART NUMBER:	
x.xxx +/- 0.100		NONE		11-512M	
x.xx +/- 0.100					
x.x +/- 0.100					
DRAWN BY:	L.CLARY		FCSM No.		 <b>Global Supply LLC</b> WORLDWIDE SUPPLIER OF ELECTRONIC HARDWARE, FASTENERS & COMPONENTS <small>500 Division Street, Campbell, CA 95008-6906          Tel: 408 960 0370 Fax: 408 960 0375 Web: www.globalsupply.com</small>
REV:	APPROVAL	DATE:	67012		
INITIAL	LJA	Feb 3, 2014	ECCN		
A	LJA	Feb 14, 2019	EAR99 = NLR (No License Required)		