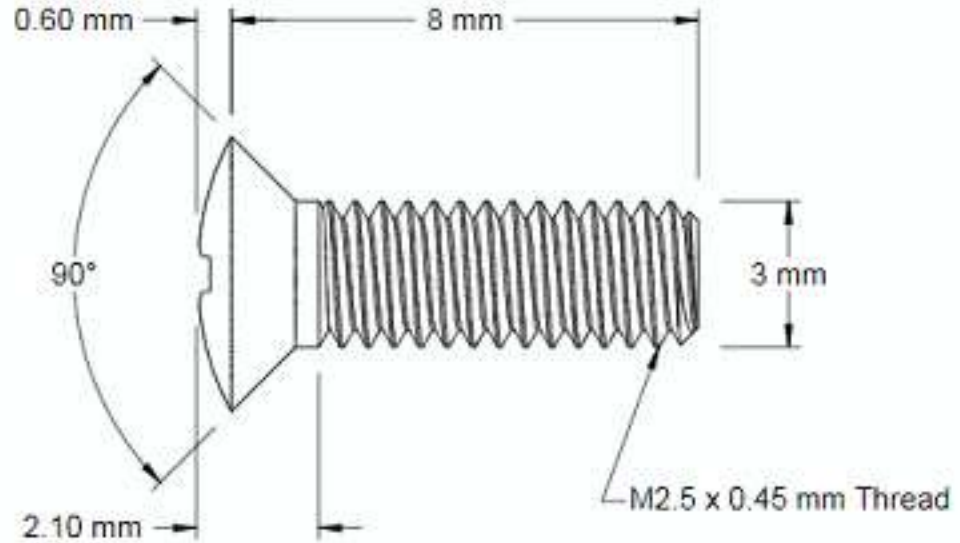
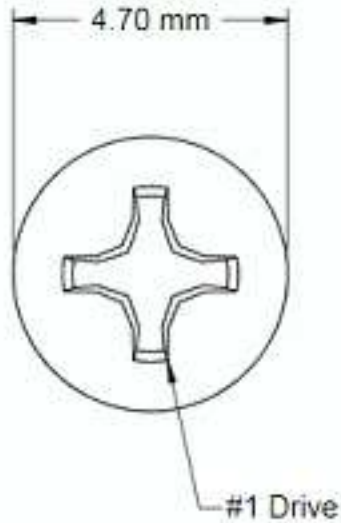



This drawing and the information contained herein are the confidential and proprietary property of Global Supply LLC



- NOTES:
1. INTERPRET DRAWINGS PER DIN 966/ISO 7047 STANDARD.
  2. DIMENSIONS AND TOLERANCE PER ANSI/ASME 18.6.7
  3. ROHS AND REACH COMPLIANT

|   |          |              |                                   |  |  |
|---|----------|--------------|-----------------------------------|--|--|
| DRAWING SCALE:  |          | MATERIAL:    |                                   | DESCRIPTION:                                 |  |
| METRIC  |          | STEEL        |                                   | M2.5-0.45 X 8 MM PHILLIPS OVAL MACHINE SCREW |  |
| TOLERANCES:<br><i>Unless specified otherwise, all dimensions are in millimeters</i> |          | FINISH:      |                                   | PART NUMBER:                                 |  |
| x.xxx +/- 0.100<br>x.xx +/- 0.100<br>x.x +/- 0.100                                  |          | NICKEL       |                                   | 21100-429                                    |  |
| DRAWN BY:   | L CLARY  |              | FCSM No.                          |  |  <b>Global Supply LLC</b><br>WORLDWIDE SUPPLIER OF ELECTRONIC<br>HARDWARE, FASTENERS & COMPONENTS<br><small>500 Division Street, Campbell, CA 95008-6906<br/>         Tel: 408 960 0370 Fax: 408 960 0375 Web: www.globalsupply.com</small> |
| REV:  | APPROVAL | DATE:        | 67012                             |  |  |
| INITIAL REV   | LJA      | Sep 19, 2018 | ECCN                              |  |  |
|   |          |              | EAR99 = NLR (No License Required) |  |  |
|   |          |              |                                   |  |  |