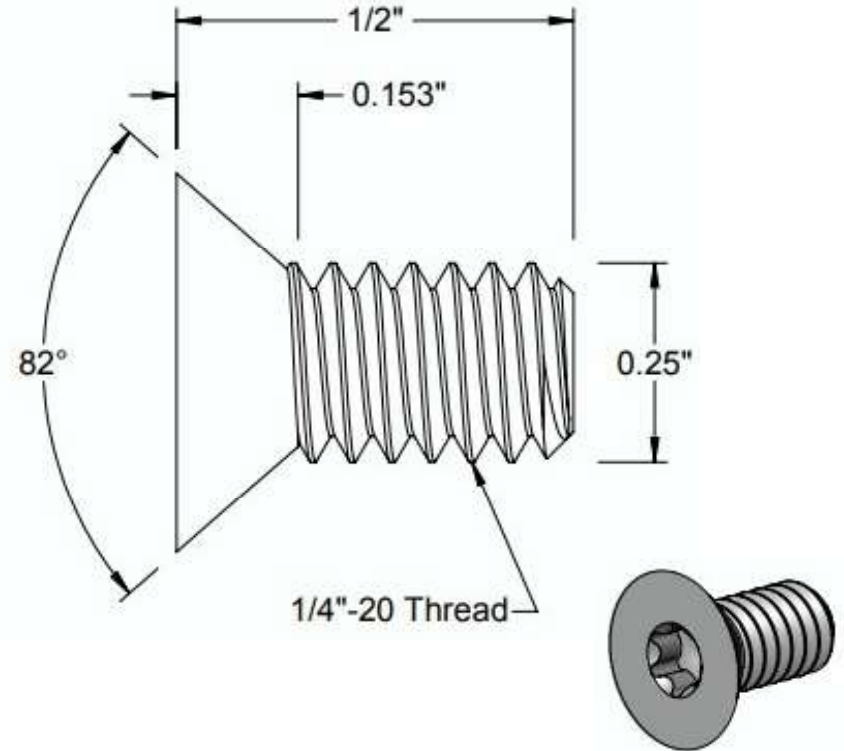
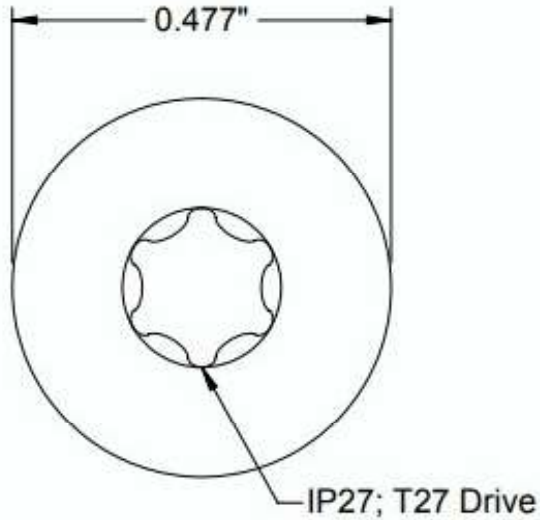



This drawing and the information contained herein are the confidential and proprietary property of Global Supply LLC



NOTES:

1. INTERPRET DRAWINGS PER ASME Y14.5M-1994 STANDARD.
2. DIMENSIONS & TOLERANCES PER ANSI/ASME B18.6.2
3. ROHS AND REACH COMPLIANT

DRAWING SCALE:		MATERIAL:	DESCRIPTION:						
STANDARD		18-8 STAINLESS STEEL	1/4-20 X 1/2 TORX FLAT HEAD CAP SCREW						
TOLERANCES: <i>Unless specified otherwise, all dimensions are in inches</i>	<table border="0"> <tr> <td>x.xxx</td> <td>+/- 0.005</td> </tr> <tr> <td>x.xx</td> <td>+/- 0.010</td> </tr> <tr> <td>x.x</td> <td>+/- 0.010</td> </tr> </table>	x.xxx	+/- 0.005	x.xx	+/- 0.010	x.x	+/- 0.010	FINISH:	PART NUMBER:
x.xxx	+/- 0.005								
x.xx	+/- 0.010								
x.x	+/- 0.010								
		PASSIVATE	25C32XFCSP						
DRAWN BY:	LCLARY		 <p>Global Supply LLC WORLDWIDE SUPPLIER OF ELECTRONIC HARDWARE, FASTENERS & COMPONENTS 500 Division Street, Campbell, CA 95008-6906 Tel: 408 960 0370 Fax: 408 960 0375 Web: www.globalsupply.com</p>						
REV:	APPROVAL	DATE:							
INITIAL REV	LJA	May 25, 2018							
		FCSM No. 67012							
		ECCN							
		EAR99 = NLR (No License Required)							