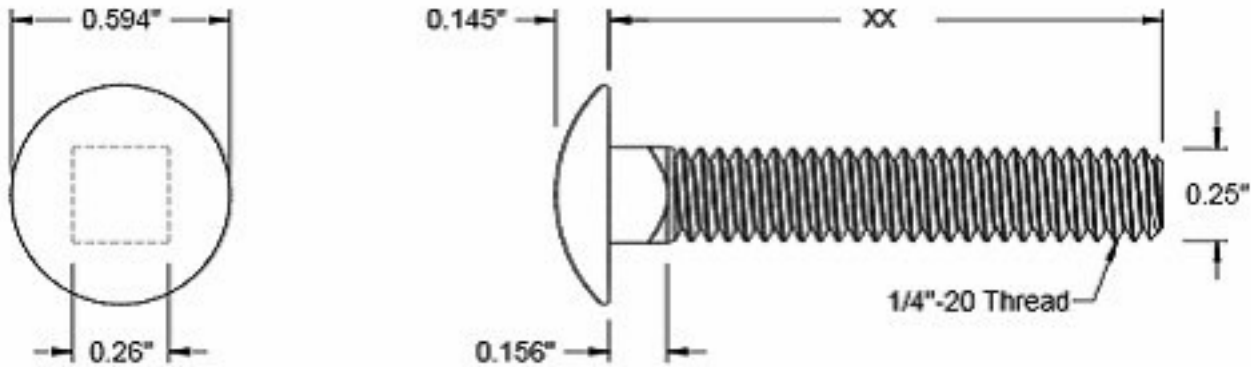



This drawing and the information contained herein are the confidential and proprietary property of Global Supply LLC



PART NUMBER	LENGTH
25C4BCR2	1/16
25C8BCR2	1/8
25C16BCR2	1/4
25C24BCR2	3/8
25C32BCR2	1/2
25C40BCR2	5/8
25C48BCR2	3/4
25C64BCR2	1
25C80BCR2	1 1/4
25C96BCR2	1 1/2
25C112BCR2	1 3/4
25C128BCR2	2



NOTES:
 1. INTERPRET DRAWINGS PER ASME Y14.5M-1994 STANDARD.
 2. DIMENSIONS & TOLERANCES PER ANSI/ASME B18.5
 3. ROHS AND REACH COMPLIANT

DRAWING SCALE:		MATERIAL:	DESCRIPTION:
STANDARD		STEEL	1/4-20 CARRIAGE BOLT
TOLERANCES: <i>Unless specified otherwise, all dimensions are in inches</i>	x.xxx +/- 0.005 x.xx +/- 0.010 x.x +/- 0.010	FINISH:	PART NUMBER:
		PLAIN	25CXXBCR2
DRAWN BY:	LCLARY	FSCM No.	 Global Supply LLC WORLDWIDE SUPPLIER OF ELECTRONIC HARDWARE, FASTENERS & COMPONENTS <small>500 Division Street, Campbell, CA 95008-6906 Tel: 408 960 0370 Fax: 408 960 0375 Web: www.globalsupply.com</small>
REV:	APPROVAL	DATE:	
INITIAL RELEASE	LJA	Jun 5, 2018	
		ECCN	
		EAR99 = NLR (No License Required)	