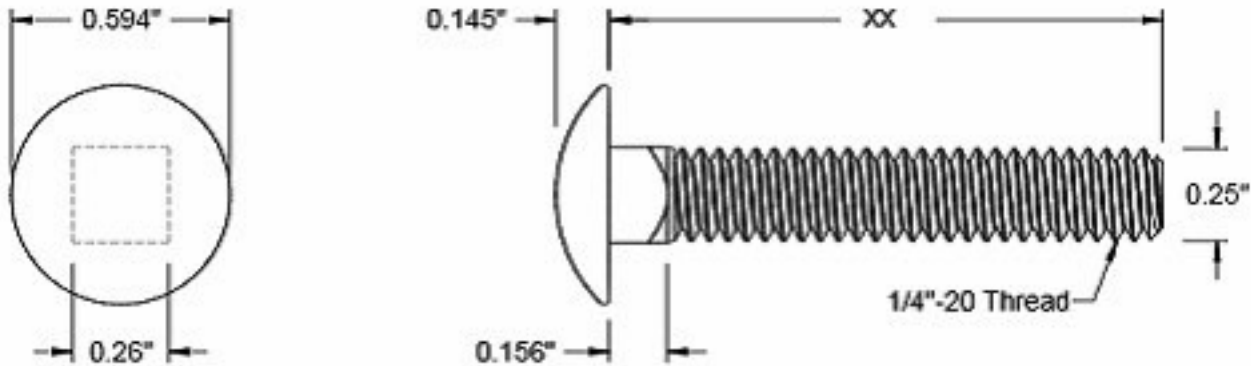



This drawing and the information contained herein are the confidential and proprietary property of Global Supply LLC



PART NUMBER	LENGTH
25C4BCR2Z	1/16
25C8BCR2Z	1/8
25C16BCR2Z	1/4
25C24BCR2Z	3/8
25C32BCR2Z	1/2
25C40BCR2Z	5/8
25C48BCR2Z	3/4
25C64BCR2Z	1
25C80BCR2Z	1 1/4
25C96BCR2Z	1 1/2
25C112BCR2Z	1 3/4
25C128BCR2Z	2



NOTES:  
 1. INTERPRET DRAWINGS PER ASME Y14.5M-1994 STANDARD.  
 2. DIMENSIONS & TOLERANCES PER ANSI/ASME B18.5

<b>DRAWING SCALE:</b>		<b>MATERIAL:</b>	<b>DESCRIPTION:</b>
<b>STANDARD</b>		<b>STEEL</b>	<b>1/4-20 CARRIAGE BOLT</b>
<b>TOLERANCES:</b> <i>Unless specified otherwise, all dimensions are in inches</i>	x.xxx +/- 0.005 x.xx +/- 0.010 x.x +/- 0.010	<b>FINISH:</b>	<b>PART NUMBER:</b>
		<b>ZINC I</b>	<b>25CXXBCR2Z</b>
<b>DRAWN BY:</b>	LCLARY	<b>FSCM No.</b>	 <b>Global Supply LLC</b> WORLDWIDE SUPPLIER OF ELECTRONIC HARDWARE, FASTENERS & COMPONENTS <small>500 Division Street, Campbell, CA 95008-6906          Tel: 408 960 0370 Fax: 408 960 0375 Web: www.globalsupply.com</small>
<b>REV:</b>	<b>APPROVAL</b>	<b>DATE:</b>	
INITIAL RELEASE	LJA	Jun 5, 2018	
		<b>ECCN</b>	
		EAR99 = NLR (No License Required)	