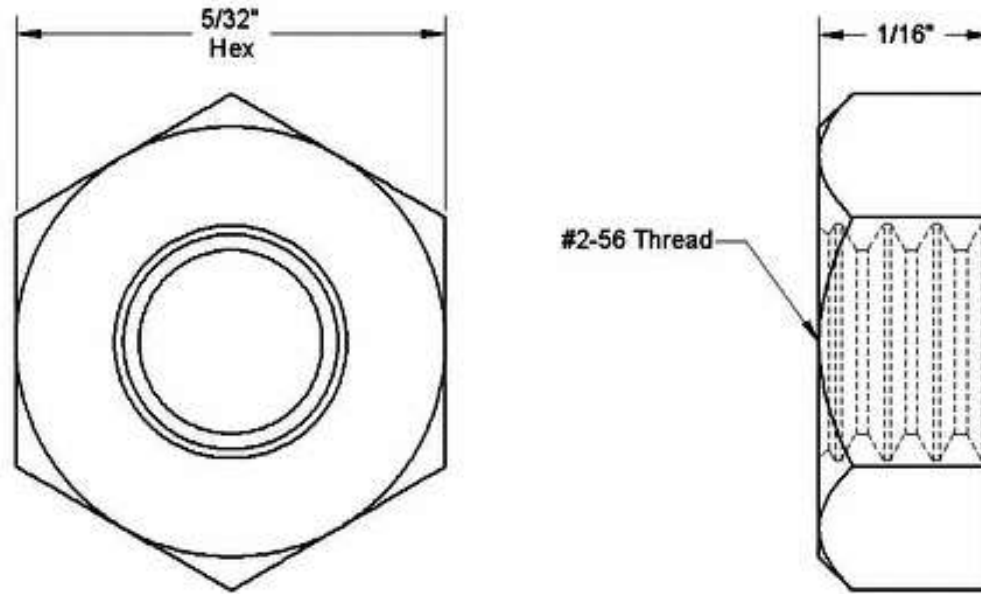



This drawing and the information contained herein are the confidential and proprietary property of Global Supply LLC



NOTES:

1. INTERPRET DRAWINGS PER ASME Y14.5M-1994 STANDARD.
2. DIMENSIONS & TOLERANCE PER ANSI/ASME B18.22.2

DRAWING SCALE:		MATERIAL:	DESCRIPTION:						
STANDARD		STEEL	#2-56 HEX NUT, SMALL						
TOLERANCES: <i>Unless specified otherwise, all dimensions are in inches</i>	<table> <tr><td>x.xxx</td><td>+/- 0.005</td></tr> <tr><td>x.xx</td><td>+/- 0.010</td></tr> <tr><td>x.x</td><td>+/- 0.010</td></tr> </table>	x.xxx	+/- 0.005	x.xx	+/- 0.010	x.x	+/- 0.010	FINISH:	PART NUMBER:
x.xxx	+/- 0.005								
x.xx	+/- 0.010								
x.x	+/- 0.010								
		ZINC	2CNSP2Z						
DRAWN BY:	L.CLARY		 <p>Global Supply LLC WORLDWIDE SUPPLIER OF ELECTRONIC HARDWARE, FASTENERS & COMPONENTS 500 Division Street, Campbell, CA 95008-6906 Tel: 408 960 0370 Fax: 408 960 0375 Web: www.globalsupply.com</p>						
REV:	APPROVAL	DATE:							
INITIAL	LJA	Apr 13, 2018							
		FCSM No. 67012							
		ECCN							
		EAR99 = NLR (No License Required)							