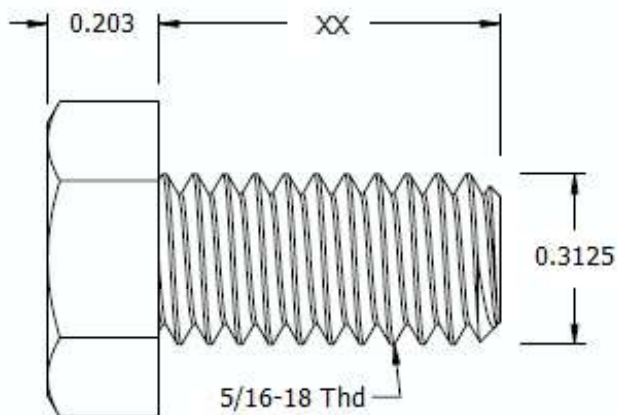
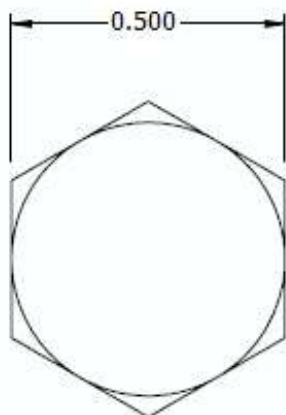



This drawing and the information contained herein are the confidential and proprietary property of Global Supply LLC



PART NUMBER	LENGTH
31C8HCSSP	1/8
31C12HCSSP	3/16
31C16HCSSP	1/4
31C20HCSSP	5/16
31C24HCSSP	3/8
31C28HCSSP	7/16
31C32HCSSP	1/2
31C36HCSSP	9/16
31C40HCSSP	5/8
31C44HCSSP	11/16
31C48HCSSP	3/4



NOTES:
 1. INTERPRET DRAWINGS PER ASME Y14.5M-1994 STANDARD.
 2. DIMENSIONS & TOLERANCES PER ANSI/ASME B18.2.1
 3. ROHS AND REACH COMPLIANT

DRAWING SCALE: STANDARD		MATERIAL: STAINLESS STEEL	DESCRIPTION: 5/16-18 HEX HEAD CAP SCREW
TOLERANCES: <i>Unless specified otherwise, all dimensions are in inches</i>	x.xxx +/- 0.005 x.xx +/- 0.010 x.x +/- 0.010	FINISH: PASSIVATE	PART NUMBER: 31CXXHCSSP
DRAWN BY: LCLARY	FSCM No. 67012		 Global Supply LLC WORLDWIDE SUPPLIER OF ELECTRONIC HARDWARE, FASTENERS & COMPONENTS <small>500 Division Street, Campbell, CA 95008-6906 Tel: 408 960 0370 Fax: 408 960 0375 Web: www.globalsupply.com</small>
REV:	APPROVAL	DATE:	
INITIAL RELEASE	LJA	May 30, 2018	
		ECCN EAR99 = NLR (No License Required)	