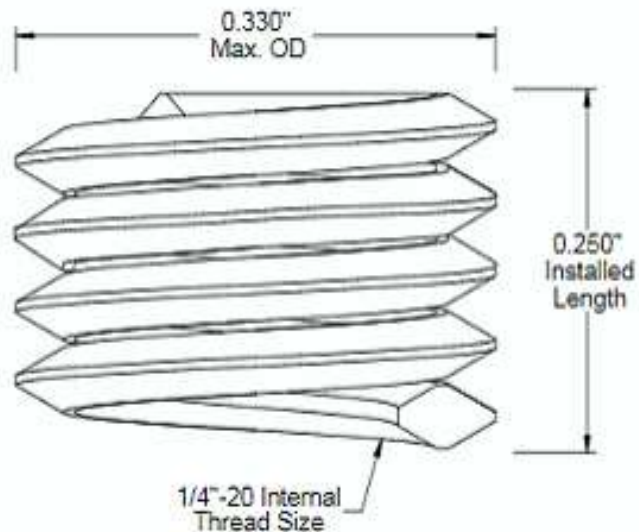



This drawing and the information contained herein are the confidential and proprietary property of Global Supply LLC



NOTES:

- 1. INTERPRET DRAWINGS PER ASME Y14.5M-1994 STANDARD.
- 2. DIMENSIONS & TOLERANCES PER ANSI/ASME B18.29.1
- 3. ROHS AND REACH COMPLIANT

DRAWING SCALE:			MATERIAL:	DESCRIPTION:
STANDARD			STAINLESS STEEL	1/4-20 X 1/4 SCREWLOCK HELICAL INSERT
TOLERANCES: <i>Unless specified otherwise, all dimensions are in inches</i>	x.xxx +/- 0.005 x.xx +/- 0.010 x.x +/- 0.010		FINISH:	PART NUMBER:
				3585-4CN-0250
DRAWN BY:	L CLARY		FCSM No. 67012	 <p>Global Supply LLC WORLDWIDE SUPPLIER OF ELECTRONIC HARDWARE, FASTENERS & COMPONENTS 500 Division Street, Campbell, CA 95008-6906 Tel: 408 960 0370 Fax: 408 960 0375 Web: www.globalsupply.com</p>
REV:	APPROVAL	DATE:	ECCN	
INITIAL REV	LJA	Jun 18, 2018	EAR99 = NLR (No License Required)	