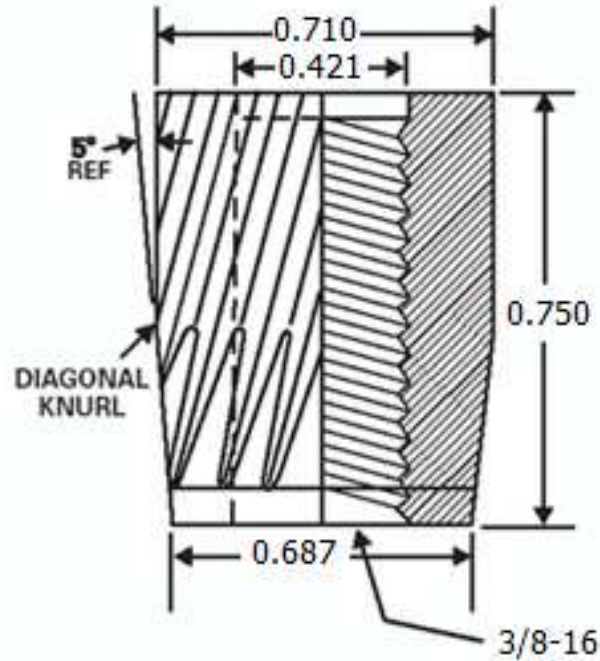



This drawing and the information contained herein are the confidential and proprietary property of Global Supply LLC



- NOTES:
1. INTERPRET DRAWINGS PER ASME Y14.5M-1994 STANDARD.
  2. DIMENSIONS & TOLERANCES PER ANSI/ASME B18.1.1.
  3. ROHS AND REACH COMPLIANT

DRAWING SCALE:		MATERIAL:	DESCRIPTION:
STANDARD		STEEL	3/8-16 TAPERED PRESS-IN INSERT, SELF-ALIGNING
TOLERANCES: <i>Unless specified otherwise, all dimensions are in inches</i>	x.xxx +/- 0.005 x.xx +/- 0.010 x.x +/- 0.010	FINISH:	PART NUMBER:
		PLATED	37516Q22-24ST
DRAWN BY:	L CLARY		 <b>Global Supply LLC</b> WORLDWIDE SUPPLIER OF ELECTRONIC HARDWARE, FASTENERS & COMPONENTS 500 Division Street, Campbell, CA 95008-6906 Tel: 408 960 0370 Fax: 408 960 0375 Web: www.globalsupply.com
REV:	APPROVAL	DATE:	
INITIAL REV	LJA	Jun 29, 2018	
		FCSM No. 67012	
		ECCN	
		EAR99 = NLR (No License Required)	