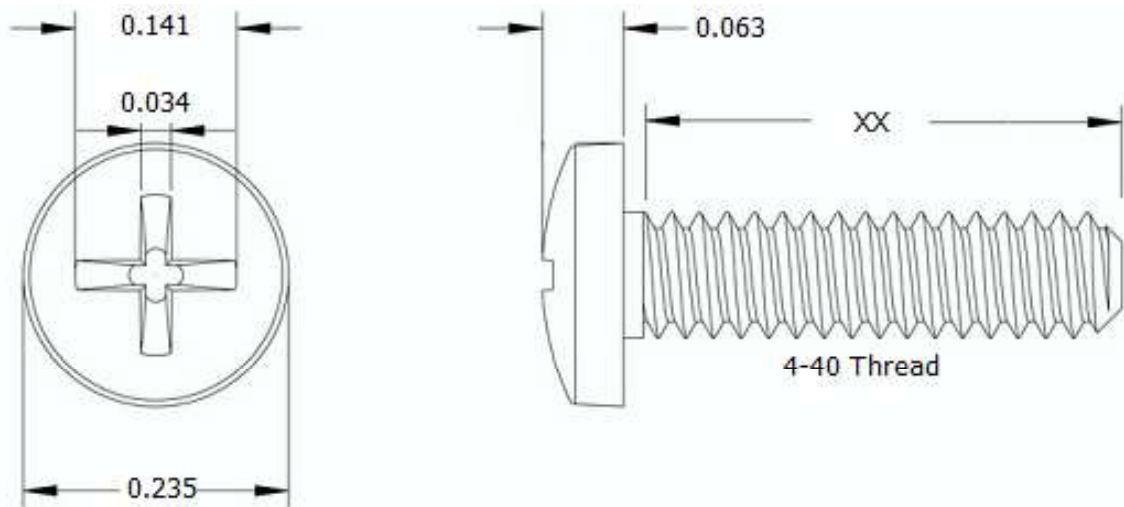



This drawing and the information contained herein are the confidential and proprietary property of Global Supply LLC



PART NUMBER	LENGTH
4C4MPB2Z	1/16
4C8MPB2Z	1/8
4C16MPB2Z	1/4
4C20MPB2Z	5/16
4C24MPB2Z	3/8
4C28MPB2Z	7/16
4C32MPB2Z	1/2
4C36MPB2Z	9/16
4C40MPB2Z	5/8
4C44MPB2Z	11/16
4C48MPB2Z	3/4
4C56MPB2Z	7/8
4C64MPB2Z	1

NOTES:  
 1. INTERPRET DRAWINGS PER ASME Y14.5M-1994 STANDARD.  
 2. DIMENSIONS & TOLERANCES PER ANSI/ASME B18.6.3.

<b>DRAWING SCALE:</b>		<b>MATERIAL:</b>	<b>DESCRIPTION:</b>
<b>STANDARD</b>		<b>STEEL</b>	<b>4-40 PHILLIPS BINDER HEAD MACHINE SCREW</b>
<b>TOLERANCES:</b> <i>Unless specified otherwise, all dimensions are in inches</i>	<b>x.xxx +/- 0.005</b> <b>x.xx +/- 0.010</b> <b>x.x +/- 0.010</b>	<b>FINISH:</b>	<b>PART NUMBER:</b>
		<b>ZINC I</b>	<b>4CXXMPB2Z</b>
<b>DRAWN BY:</b>	L CLARY		 <b>Global Supply LLC</b> WORLDWIDE SUPPLIER OF ELECTRONIC HARDWARE, FASTENERS & COMPONENTS <small>500 Division Street, Campbell, CA 95008-6906          Tel: 408 960 0370 Fax: 408 960 0375 Web: www.globalsupply.com</small>
<b>REV:</b>	<b>APPROVAL</b>	<b>DATE:</b>	
<b>INITIAL RELEASE</b>	LJA	<b>Jul 9, 2018</b>	
		FSCM No. <b>67012</b>	
		ECCN	
		EAR99 = NLR (No License Required)	