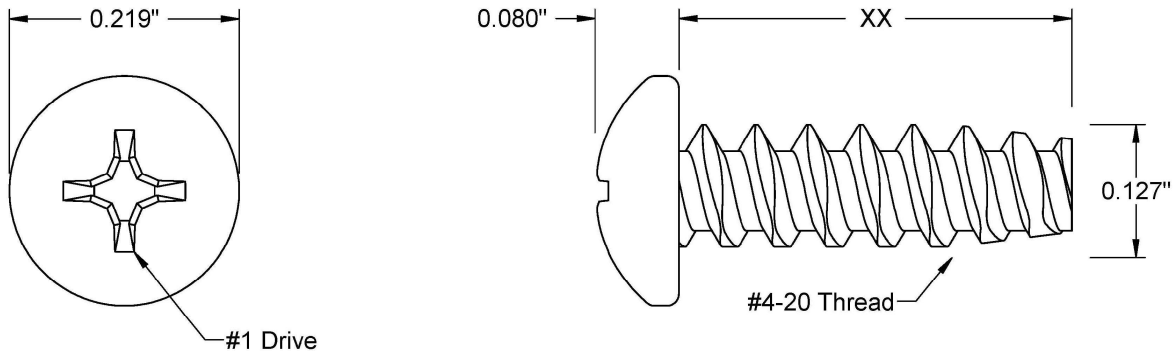



This drawing and the information contained herein are the confidential and proprietary property of Global Supply LLC



PART NUMBER	LENGTH
4S8TPP2Z/TYB	1/8
4S12TPP2Z/TYB	3/16
4S16TPP2Z/TYB	1/4
4S20TPP2Z/TYB	5/16
4S24TPP2Z/TYB	3/8
4S28TPP2Z/TYB	7/16
4S32TPP2Z/TYB	1/2
4S40TPP2Z/TYB	5/8
4S48TPP2Z/TYB	3/4
4S56TPP2Z/TYB	7/8
4S64TPP2Z/TYB	1

NOTES:
 1. INTERPRET DRAWINGS PER ASME Y14.5M-1994 STANDARD.
 2. DIMENSIONS & TOLERANCES PER ANSI/ASME B18.6.4

DRAWING SCALE:		MATERIAL:	DESCRIPTION:
STANDARD		STEEL	#4-20 PHILLIPS PAN HEAD THREAD-FORMING SCREW
TOLERANCES: <i>Unless specified otherwise, all dimensions are in inches</i>	x.xxx +/- 0.005 x.xx +/- 0.010 x.x +/- 0.010	FINISH:	PART NUMBER:
		ZINC I	4SXTPP2Z/TYB
DRAWN BY:	L.CLARY		 Global Supply LLC WORLDWIDE SUPPLIER OF ELECTRONIC HARDWARE, FASTENERS & COMPONENTS <small>500 Division Street, Campbell, CA 95008-6906 Tel: 408 960 0370 Fax: 408 960 0375 Web: www.globalsupply.com</small>
REV:	APPROVAL	DATE:	
INITIAL RELEASE	LJA	May 17, 2018	
		FSCM No. 67012	
		ECCN	
		EAR99 = NLR (No License Required)	