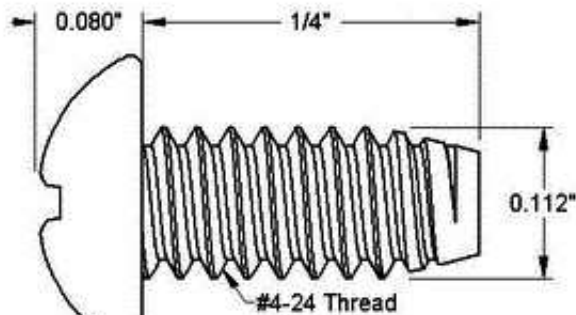
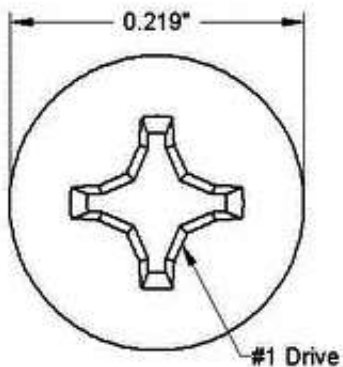



This drawing and the information contained herein are the confidential and proprietary property of Global Supply LLC



PART NUMBER	LENGTH
4S8TPP3P/TYB	1/8
4S12TPP3P/TYB	3/16
4S16TPP3P/TYB	1/4
4S20TPP3P/TYB	5/16
4S24TPP3P/TYB	3/8
4S28TPP3P/TYB	7/16
4S32TPP3P/TYB	1/2
4S40TPP3P/TYB	5/8
4S48TPP3P/TYB	3/4
4S56TPP3P/TYB	7/8
4S64TPP3P/TYB	1

NOTES:
 1. INTERPRET DRAWING PER ASME Y14.5M-1994
 2. DIMENSIONS & TOLERANCES PER ANSI/ASME B18.6.4 1981
 3. ROHS AND REACH COMPLIANT

DRAWING SCALE: STANDARD		MATERIAL: 316 STAINLESS STEEL	DESCRIPTION: #4-24 PHILLIPS PAN HEAD SELF-TAPPING SCREW TYPE B
TOLERANCES: <i>Unless specified otherwise, all dimensions are in inches</i>	x.xxx +/- 0.005 x.xx +/- 0.010 x.x +/- 0.010	FINISH: PASSIVATE	PART NUMBER: 4SXXTPP3P/TYB
DRAWN BY: L.CLARY	FSCM No. 67012 ECCN EAR99= NLR (No License Required)		 Global Supply LLC WORLDWIDE SUPPLIER OF ELECTRONIC HARDWARE, FASTENERS & COMPONENTS <small>500 Division Street, Campbell, CA 95008-6906 Tel: 408 960 0370 Fax: 408 960 0375 Web: www.globalsupply.com</small>
REV:			
INITIAL RELEASE	LJA	Mar 2, 2012	
A	LJA	May 16, 2018	