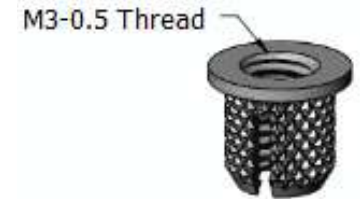
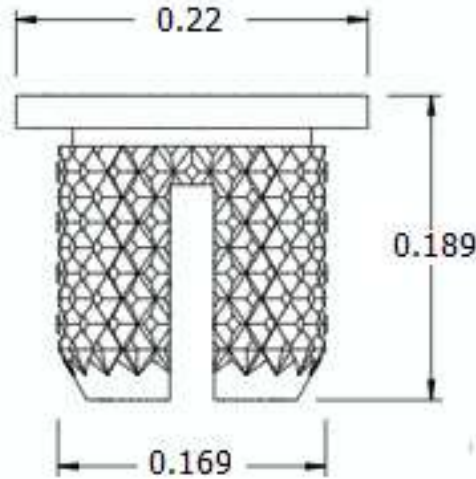



This drawing and the information contained herein are the confidential and proprietary property of Global Supply LLC



**NOTES:**

1. INTERPRET DRAWINGS PER ASME Y14.5M-1994 STANDARD.
2. DIMENSIONS & TOLERANCES PER ANSI/ASME B18.1.1.
3. ROHS AND REACH COMPLIANT

<b>DRAWING SCALE:</b>		<b>MATERIAL:</b>	<b>DESCRIPTION:</b>						
<b>STANDARD</b>		<b>BRASS</b>	<b>M3-0.5 B-LOK INSERT WITH FLANGE, SELF-LOCKING</b>						
<b>TOLERANCES:</b> <i>Unless specified otherwise, all dimensions are in inches</i>	<table> <tr> <td>x.xxx</td> <td>+/- 0.005</td> </tr> <tr> <td>x.xx</td> <td>+/- 0.010</td> </tr> <tr> <td>x.x</td> <td>+/- 0.010</td> </tr> </table>	x.xxx	+/- 0.005	x.xx	+/- 0.010	x.x	+/- 0.010	<b>FINISH:</b>	<b>PART NUMBER:</b>
x.xxx	+/- 0.005								
x.xx	+/- 0.010								
x.x	+/- 0.010								
			<b>8420030</b>						
<b>DRAWN BY:</b>	<b>L CLARY</b>		 <p><b>Global Supply LLC</b>          WORLDWIDE SUPPLIER OF ELECTRONIC HARDWARE, FASTENERS &amp; COMPONENTS          500 Division Street, Campbell, CA 95008-6906          Tel: 408 960 0370 Fax: 408 960 0375 Web: www.globalsupply.com</p>						
<b>REV:</b>	<b>APPROVAL</b>	<b>DATE:</b>							
<b>INITIAL REV</b>	LJA	Jun 29, 2018							
		FCSM No. <b>67012</b>							
		ECCN EAR99 = NLR (No License Required)							