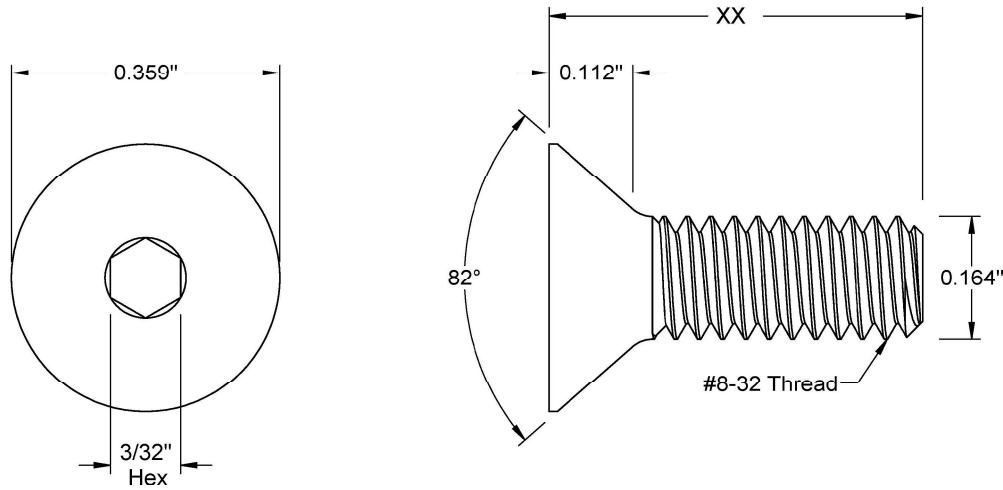



This drawing and the information contained herein are the confidential and proprietary property of Global Supply LLC



PART NUMBER	LENGTH
8C8SFC23	1/8
8C12SFC23	3/16
8C16SFC23	1/4
8C20SFC23	5/16
8C24SFC23	3/8
8C28SFC23	7/16
8C32SFC23	1/2
8C40SFC23	5/8
8C48SFC23	3/4
8C56SFC23	7/8
8C64SFC23	1

NOTES:  
 1. INTERPRET DRAWINGS PER ASME Y14.5M-1994 STANDARD.  
 2. DIMENSIONS & TOLERANCES PER ANSI/ASME B18.3  
 3. ROHS AND REACH COMPLIANT

<b>DRAWING SCALE:</b>		<b>MATERIAL:</b>	<b>DESCRIPTION:</b>
<b>STANDARD</b>		<b>STEEL</b>	<b>#8-32 SOCKET FLAT HEAD MACHINE SCREW</b>
<b>TOLERANCES:</b> <i>Unless specified otherwise, all dimensions are in inches</i>	x.xxx +/- 0.005 x.xx +/- 0.010 x.x +/- 0.010	<b>FINISH:</b>	<b>PART NUMBER:</b>
		<b>ZINC CLEAR ROHS</b>	<b>8CXXSFC23</b>
<b>DRAWN BY:</b>	L.CLARY	<b>FSCM No.</b>	 <b>Global Supply LLC</b> WORLDWIDE SUPPLIER OF ELECTRONIC HARDWARE, FASTENERS & COMPONENTS <small>500 Division Street, Campbell, CA 95008-6906          Tel: 408 960 0370 Fax: 408 960 0375 Web: www.globalsupply.com</small>
<b>REV:</b>	<b>APPROVAL</b>	<b>DATE:</b>	
INITIAL RELEASE	LJA	Oct 23, 2009	
A	LJA	Sep 4, 2014	
B	LJA	May 16, 2018	
		<b>ECCN</b>	
		EAR99 = NLR (No License Required)	