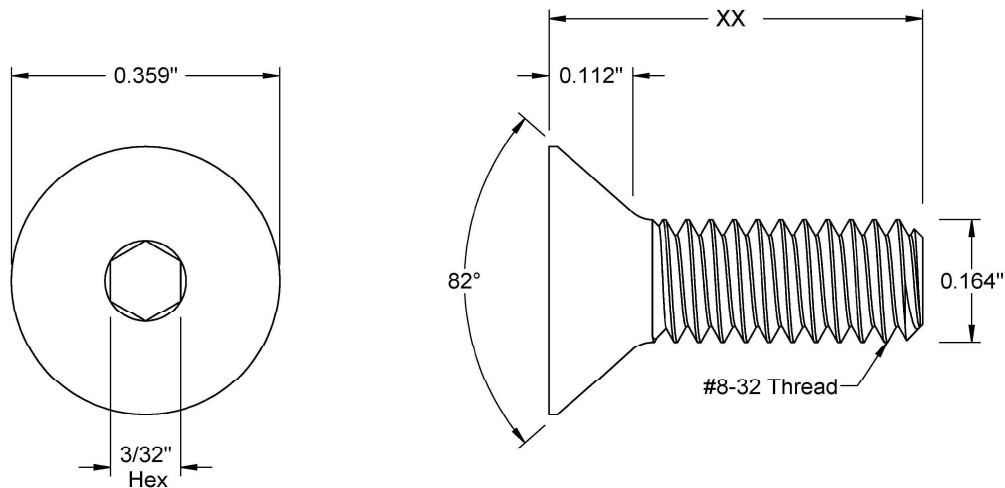



This drawing and the information contained herein are the confidential and proprietary property of Global Supply LLC



PART NUMBER	LENGTH
8C8SFCHO	1/8
8C12SFCHO	3/16
8C16SFCHO	1/4
8C20SFCHO	5/16
8C24SFCHO	3/8
8C28SFCHO	7/16
8C32SFCHO	1/2
8C40SFCHO	5/8
8C48SFCHO	3/4
8C56SFCHO	7/8
8C64SFCHO	1

- NOTES:
1. INTERPRET DRAWINGS PER ASME Y14.5M-1994 STANDARD.
  2. DIMENSIONS & TOLERANCES PER ANSI/ASME B18.3
  3. ROHS AND REACH COMPLIANT

<b>DRAWING SCALE:</b>		<b>MATERIAL:</b>	<b>DESCRIPTION:</b>
<b>STANDARD</b>		<b>ALLOY STEEL</b>	<b>#8-32 SOCKET FLAT HEAD MACHINE SCREW</b>
<b>TOLERANCES:</b> <i>Unless specified otherwise, all dimensions are in inches</i>	<b>x.xxx +/- 0.005</b> <b>x.xx +/- 0.010</b> <b>x.x +/- 0.010</b>	<b>FINISH:</b>	<b>PART NUMBER:</b>
		<b>BLACK OXIDE</b>	<b>8CXXSFCHO</b>
<b>DRAWN BY:</b>	L.CLARY		 <b>Global Supply LLC</b> WORLDWIDE SUPPLIER OF ELECTRONIC HARDWARE, FASTENERS & COMPONENTS <small>500 Division Street, Campbell, CA 95008-6906          Tel: 408 960 0370 Fax: 408 960 0375 Web: www.globalsupply.com</small>
<b>REV:</b>	<b>APPROVAL</b>	<b>DATE:</b>	
INITIAL RELEASE	LJA	Oct 23, 2009	
A	LJA	Sep 4, 2014	
B	LJA	May 16, 2018	
		FSCM No. <b>67012</b>	
		ECCN	
		EAR99 = NLR (No License Required)	