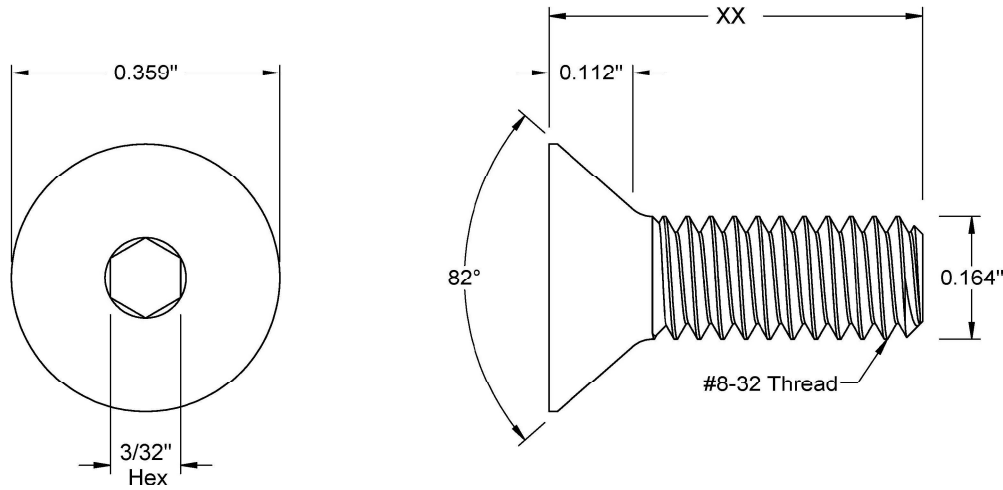



This drawing and the information contained herein are the confidential and proprietary property of Global Supply LLC



PART NUMBER	LENGTH
8C8SFCSP	1/8
8C12SFCSP	3/16
8C16SFCSP	1/4
8C20SFCSP	5/16
8C24SFCSP	3/8
8C28SFCSP	7/16
8C32SFCSP	1/2
8C40SFCSP	5/8
8C48SFCSP	3/4
8C64SFCSP	1

NOTES:
 1. INTERPRET DRAWINGS PER ASME Y14.5M-1994 STANDARD.
 2. DIMENSIONS & TOLERANCES PER ANSI/ASME B18.3
 3. ROHS AND REACH COMPLIANT

DRAWING SCALE: STANDARD		MATERIAL: STAINLESS STEEL	DESCRIPTION: #8-32 SOCKET FLAT HEAD MACHINE SCREW
TOLERANCES: <i>Unless specified otherwise, all dimensions are in inches</i>	x.xxx +/- 0.005 x.xx +/- 0.010 x.x +/- 0.010	FINISH: PASSIVATE	PART NUMBER: 8CXXSFCSP
DRAWN BY: L.CLARY	FSCM No. 67012		 Global Supply LLC WORLDWIDE SUPPLIER OF ELECTRONIC HARDWARE, FASTENERS & COMPONENTS <small>500 Division Street, Campbell, CA 95008-6906 Tel: 408 960 0370 Fax: 408 960 0375 Web: www.globalsupply.com</small>
REV:	APPROVAL	DATE:	
INITIAL RELEASE	LJA	Oct 23, 2009	
A	LJA	Sep 4, 2014	
B	LJA	May 16, 2018	ECCN EAR99 = NLR (No License Required)