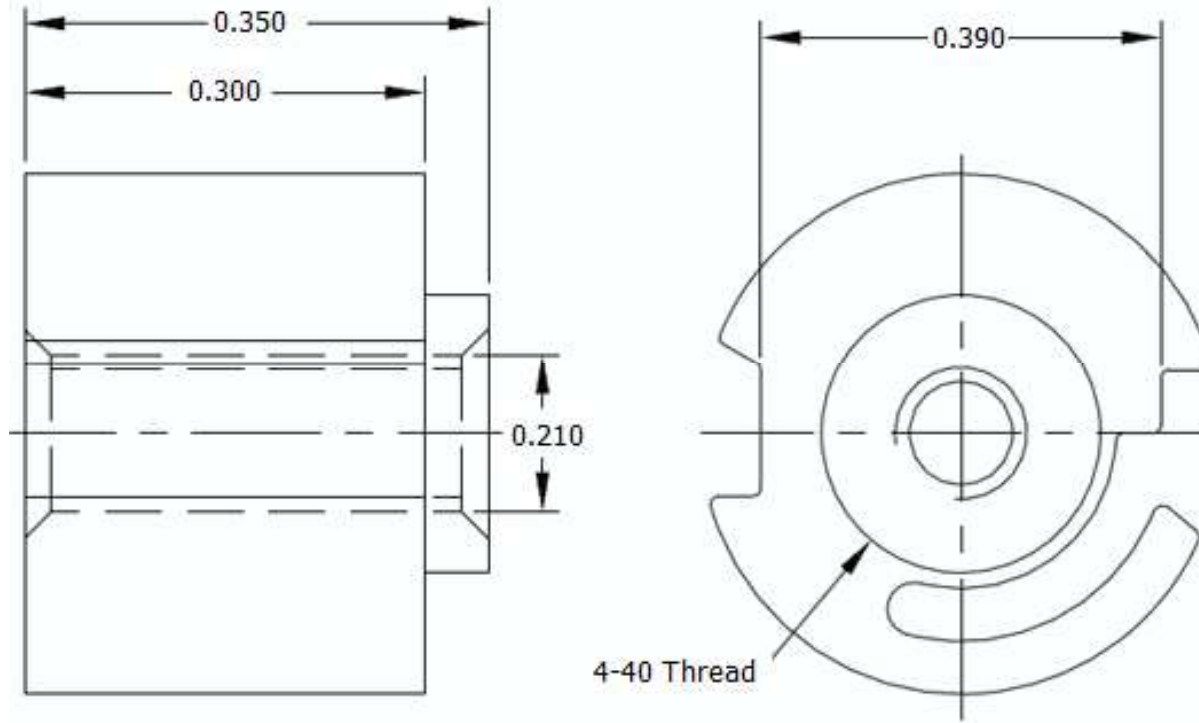



This drawing and the information contained herein are the confidential and proprietary property of Global Supply LLC



NOTE:
ROHS AND REACH COMPLIANT

DRAWING SCALE: STANDARD		MATERIAL: THERMOPLASTIC POLY	DESCRIPTION: 4-40 SHEET EDGE INSERT						
TOLERANCES: <i>Unless specified otherwise, all dimensions are in inches</i>	<table border="0"> <tr><td>x.xxx</td><td>+/- 0.005</td></tr> <tr><td>x.xx</td><td>+/- 0.010</td></tr> <tr><td>x.x</td><td>+/- 0.010</td></tr> </table>	x.xxx	+/- 0.005	x.xx	+/- 0.010	x.x	+/- 0.010	FINISH:	PART NUMBER: F1-10-104-13
x.xxx	+/- 0.005								
x.xx	+/- 0.010								
x.x	+/- 0.010								
DRAWN BY: L CLARY	FCSM No. 67012		 Global Supply LLC WORLDWIDE SUPPLIER OF ELECTRONIC HARDWARE, FASTENERS & COMPONENTS <small>500 Division Street, Campbell, CA 95008-6906 Tel: 408 960 0370 Fax: 408 960 0375 Web: www.globalsupply.com</small>						
REV: INITIAL REV				APPROVAL LJA	DATE: Jun 29, 2018				
ECCN EAR99 = NLR (No License Required)									