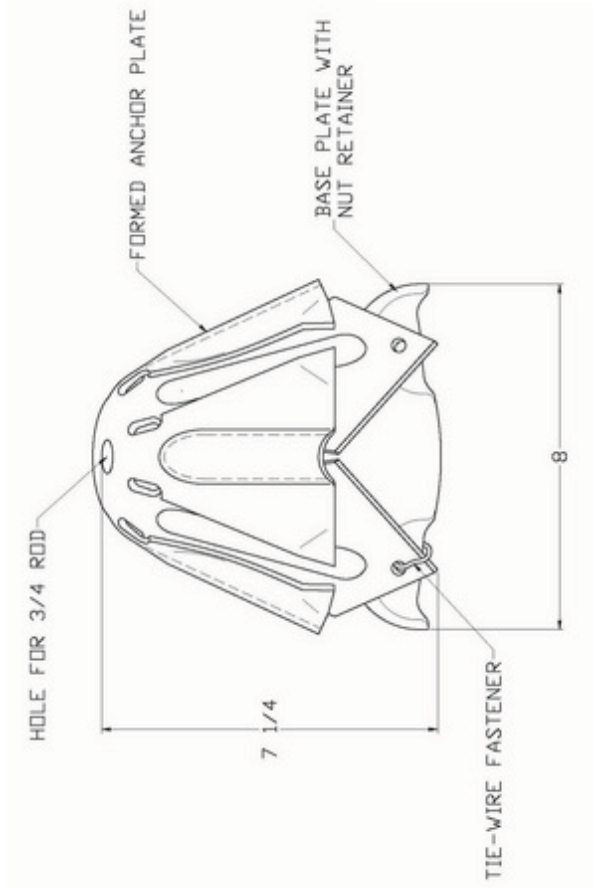
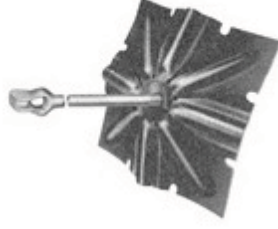


This drawing and the information contained herein are the confidential and proprietary property of Global Supply LLC



CLOSED



EXPANDED

DRAWING SCALE:

STANDARD

TOLERANCES:

Unless specified otherwise, all dimensions are in inches

x.xxx +/- 0.005
 x.xx +/- 0.010
 x.x +/- 0.010

DRAWN BY:

L.CLARY

REV:
 INITIAL

APPROVAL
 LJA

DATE:
 Apr 8, 2015

DESCRIPTION:

Anchor, Expanding, 8in hole, 8 way, 3/4in Dia Rod

PART NUMBER:

19021

MATERIAL:

1018 STEEL

FINISH:

BLACK PAINT

FCSM No.

67012

ECCN

EAR99 = NLR (No License Required)



Global Supply LLC
 WORLDWIDE SUPPLIER OF ELECTRONIC
 HARDWARE, FASTENERS & COMPONENTS

500 Division Street, Campbell, CA 95008-6906
 Tel: 408 960 0370 Fax: 408 960 0375 Web: www.globalsupply.com