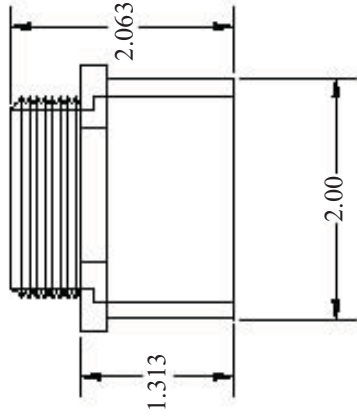



This drawing and the information contained herein are the confidential and proprietary property of Global Supply LLC



NOTE: INTERPRET DRAWING PER UL 651, NEMA TC-2 AND NEC-ARTICLE 352 STANDARDS.

| | | | |
|--|---|--|---|
| DRAWING SCALE: | | MATERIAL: | DESCRIPTION: |
| STANDARD | | PVC | Adapter, Terminal, Male, 1-1/2in Dia, PVC Schedule 40/80, Gray |
| TOLERANCES: <i>Unless specified otherwise, all dimensions are in inches</i> | X.XXX +/- 0.005 X.XX +/- 0.010 X.X +/- 0.010 | FINISH: | PART NUMBER: |
| DRAWN BY: | L. CLARY | FCSM No. | 5140107 |
| REV: | APPROVAL | 67012 | |
| INITIAL | LJA | ECCN | |
| | | EAR99 = NLR (No License Required) | |
|  Global Supply LLC WORLDWIDE SUPPLIER OF ELECTRONIC HARDWARE, FASTENERS & COMPONENTS <small>500 Division Street, Campbell, CA 95008-6906 Tel: 408 960 0370 Fax: 408 960 0375 Web: www.globalupply.com</small> | | | |