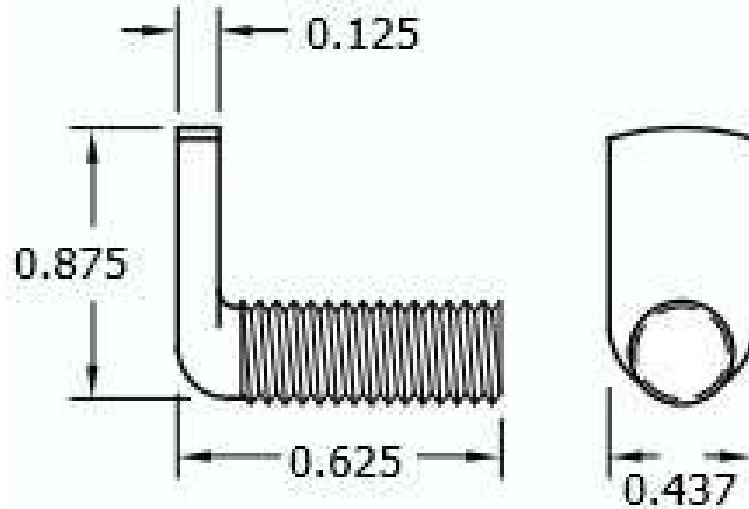



This drawing and the information contained herein are the confidential and proprietary property of Global Supply LLC



NOTES:

1. INTERPRET DRAWINGS PER ASME Y14.5M-1994 STANDARD.
2. DIMENSIONS & TOLERANCES PER ASME B1.1-2003.
3. ROHS AND REACH COMPLIANT

DRAWING SCALE:		MATERIAL:	DESCRIPTION:						
STANDARD		STAINLESS STEEL	5/16-18 X 5/8 SPOT WELD SCREW						
TOLERANCES: <i>Unless specified otherwise, all dimensions are in inches</i>	<table border="0"> <tr><td>x.xxx</td><td>+/- 0.005</td></tr> <tr><td>x.xx</td><td>+/- 0.010</td></tr> <tr><td>x.x</td><td>+/- 0.010</td></tr> </table>	x.xxx	+/- 0.005	x.xx	+/- 0.010	x.x	+/- 0.010	FINISH:	PART NUMBER:
x.xxx	+/- 0.005								
x.xx	+/- 0.010								
x.x	+/- 0.010								
		PASSIVATE	SSZ2710						
DRAWN BY:	LCLARY		 Global Supply LLC WORLDWIDE SUPPLIER OF ELECTRONIC HARDWARE, FASTENERS & COMPONENTS <small>500 Division Street, Campbell, CA 95008-6906 Tel: 408 960 0370 Fax: 408 960 0375 Web: www.globalsupply.com</small>						
REV:	APPROVAL	DATE:							
INITIAL REV	LJA	May 25, 2018							
		FCSM No. 67012 ECCN EAR99 = NLR (No License Required)							