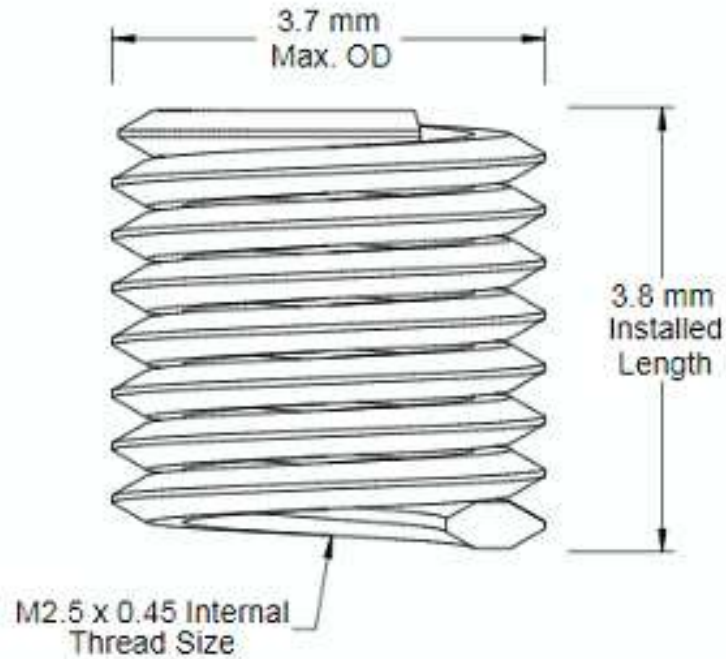



This drawing and the information contained herein are the confidential and proprietary property of Global Supply LLC



**NOTES:**

1. INTERPRET DRAWINGS PER DIN 912 STANDARD.
2. DIMENSIONS & TOLERANCES PER ANSI/ASME B18.29.1
3. ROHS AND REACH COMPLIANT

<b>DRAWING SCALE:</b>		<b>MATERIAL:</b>	<b>DESCRIPTION:</b>
<b>METRIC</b>		<b>STAINLESS STEEL</b>	<b>M2.5 X 0.45 X 3.8 MM HELICAL INSERT</b>
<b>TOLERANCES:</b> <i>Unless specified otherwise, all dimensions are in millimeters</i>	<b>x.xxx +/- 0.100</b> <b>x.xx +/- 0.100</b> <b>x.x +/- 0.100</b>	<b>FINISH:</b>	<b>PART NUMBER:</b>
			<b>1084-2.5CN-38</b>
<b>DRAWN BY:</b>	<b>L.CLARY</b>		 <b>Global Supply LLC</b> WORLDWIDE SUPPLIER OF ELECTRONIC HARDWARE, FASTENERS & COMPONENTS <small>500 Division Street, Campbell, CA 95008-6906          Tel: 408 960 0370 Fax: 408 960 0375 Web: www.globalsupply.com</small>
<b>REV:</b>	<b>APPROVAL</b>	<b>DATE:</b>	
<b>INITIAL REV</b>	LJA	Jun 8, 2018	
		FCSM No. <b>67012</b>	
		ECCN	
		EAR99 = NLR (No License Required)	