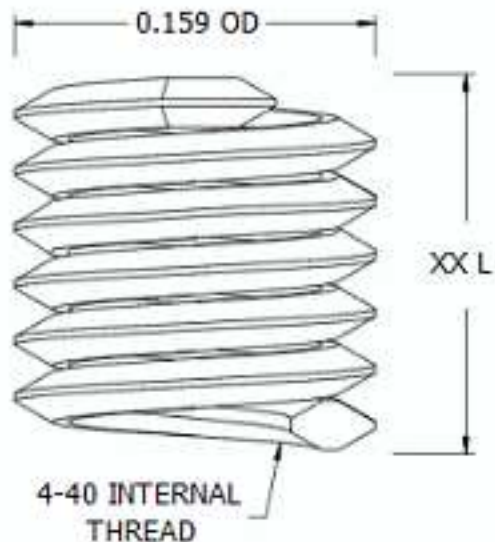



This drawing and the information contained herein are the confidential and proprietary property of Global Supply LLC



PART NUMBER	LENGTH
3585-04CN-0112	0.112
3585-04CN-0168	0.168
3585-04CN-0224	0.224
3585-04CN-0280	0.280
3585-04CN-0336	0.336



NOTES:
 1. INTERPRET DRAWINGS PER ASME Y14.5M-1994 STANDARD.
 2. DIMENSIONS & TOLERANCES PER ANSI/ASME B18.29.1
 3. ROHS AND REACH COMPLIANT

DRAWING SCALE: STANDARD		MATERIAL: STAINLESS STEEL	DESCRIPTION: 4-40 SCREW-LOCK HELICAL INSERT						
TOLERANCES: <i>Unless specified otherwise, all dimensions are in inches</i>		FINISH:	PART NUMBER: 3585-04CN-0XXX						
<table border="1"> <tr> <td>x.xxx</td> <td>+/- 0.005</td> </tr> <tr> <td>x.xx</td> <td>+/- 0.010</td> </tr> <tr> <td>x.x</td> <td>+/- 0.010</td> </tr> </table>		x.xxx	+/- 0.005	x.xx	+/- 0.010	x.x	+/- 0.010	FSCM No. 67012	 Global Supply LLC WORLDWIDE SUPPLIER OF ELECTRONIC HARDWARE, FASTENERS & COMPONENTS <small>500 Division Street, Campbell, CA 95008-6906 Tel: 408 960 0370 Fax: 408 960 0375 Web: www.globalsupply.com</small>
x.xxx	+/- 0.005								
x.xx	+/- 0.010								
x.x	+/- 0.010								
DRAWN BY:	L. CLARY	ECCN EAR99 = NLR (No License Required)							
REV:	APPROVAL		DATE:						
INITIAL RELEASE	LJA	Jun 18, 2018							