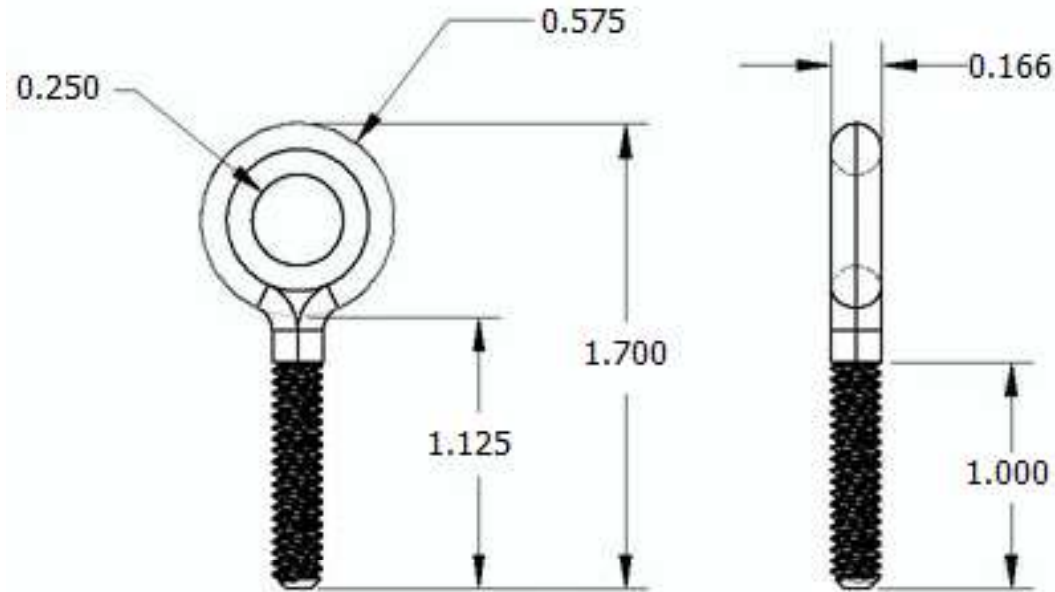



This drawing and the information contained herein are the confidential and proprietary property of Global Supply LLC



- NOTES:
1. INTERPRET DRAWINGS PER ASME Y14.5M-1994 STANDARD.
 2. DIMENSIONS & TOLERANCES PER ANSI/ASME B18.6.3.
 3. ROHS AND REACH COMPLIANT.

DRAWING SCALE:		MATERIAL:	DESCRIPTION:						
STANDARD		NYLON	#8-32 X 1 1/8 EYEBOLT						
TOLERANCES: <i>Unless specified otherwise, all dimensions are in inches</i>	<table> <tr><td>x.xxx</td><td>+/- 0.005</td></tr> <tr><td>x.xx</td><td>+/- 0.010</td></tr> <tr><td>x.x</td><td>+/- 0.010</td></tr> </table>	x.xxx	+/- 0.005	x.xx	+/- 0.010	x.x	+/- 0.010	FINISH:	PART NUMBER:
x.xxx	+/- 0.005								
x.xx	+/- 0.010								
x.x	+/- 0.010								
			8C72BEYN						
DRAWN BY:	LCLARY		 Global Supply LLC WORLDWIDE SUPPLIER OF ELECTRONIC HARDWARE, FASTENERS & COMPONENTS 500 Division Street, Campbell, CA 95008-6906 Tel: 408 960 0370 Fax: 408 960 0375 Web: www.globalsupply.com						
REV:	APPROVAL	DATE:							
INITIAL	LJA	May 23, 2018							
		FCSM No. 67012							
		ECCN							
		EAR99 = NLR (No License Required)							